

THE COUNCIL OF  
THE HELICOPTER ASSOCIATION OF GREAT BRITAIN

wish to record their appreciation  
of Advertisers' support

ALVIS LIMITED



HOLYHEAD ROAD COVENTRY  
Telephone Coventry 5501

*Pioneers of Rotating Wing Aircraft*



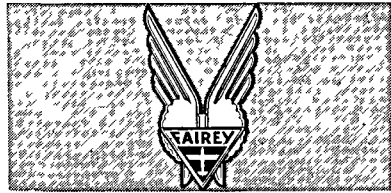
ELECTRO-HYDRAULICS LIMITED



Undercarriages  
Hydraulic  
Electro Hydraulic and  
Pneumatic Equipment

LIVERPOOL ROAD  
WARRINGTON  
Telephone Warrington 2244

THE FAIREY AVIATION CO. LTD.



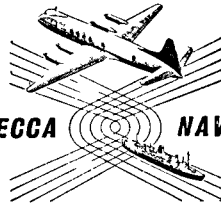
*Hordern-Richmond Ltd*

MANUFACTURERS OF

Helicopter Rotor Blades

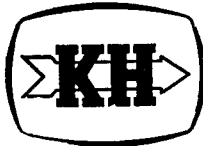
HYDULIGNUM WORKS HADDENHAM BUCKS  
TELEPHONE AYLESBURY 1100 1102

THE DECCA NAVIGATOR



THE WORLD'S MOST ACCURATE  
NAVIGATION SYSTEM

KELVIN & HUGHES (AVIATION) LTD



NEW NORTH ROAD BARKINGSIDE ESSEX  
TEL HAINAULT 2601  
WINCHESTER ROAD BASINGSTOKE HANTS  
TEL BASINGSTOKE 690



AIRCRAFT EQUIPMENT

# *Redifon*

**FLIGHT  
SIMULATOR  
DIVISION**

**CRAWLEY SUSSEX ENGLAND**

**COMPLETE  
ELECTRICAL SYSTEMS  
for AIRCRAFT by**

# ROTAX



**SAUNDERS-ROE Helicopter Division**

EASTLEIGH Southampton Phone Eastleigh 2731  
● Head Office OSBORNE EAST COWES ISLE OF WIGHT Phone COWES 2211



**Symbols of service to  
Aviation  
throughout the years**



**SPE COMPANY LTD**



**SLOUGH BUCKS Tel SLOUGH 23277**

**THE SPERRY GYROSCOPE CO  
LTD**



# SMITHS

**SMITHS AIRCRAFT INSTRUMENTS LTD**

**STANDARD TELEPHONES & CABLES  
LIMITED**

# *Standard Radio*

**NEW SOUTHGATE LONDON N11  
Telephone Enterprise 1234**



# WESTLAND

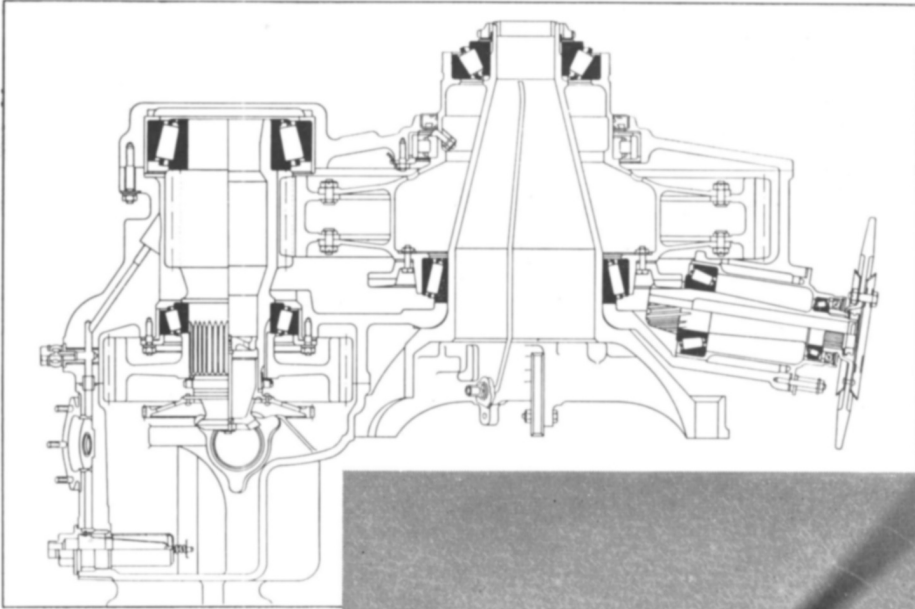
*The Hallmark of British Helicopters*

*Westland Aircraft Limited Yeovil England*



Published for The Helicopter Association of Great Britain Ltd by J M P PUBLISHING SERVICES at Effingham House Arundel Street London WC2 Entered at Stationers Hall

# On the BRISTOL 'SYCAMORE' helicopter



TIMKEN tapered-roller bearings with their nickel alloy case-hardening steel and toughened shock-resistant core, are the ideal bearings for carrying the heavy loads imposed by helicopter gearing and main rotors

They are extensively used on various makes and designs of helicopter

All Bristol Sycamores—and well over 100 have so far been built—have Timken bearings in their gear boxes



The sectional drawing shows the arrangement of the Timken bearings on the gearing to the main and tail rotors and on the sleeve carrying the main rotor. The upper Timken bearing carries the entire weight of the helicopter in addition to journal loads.

REGISTERED TRADE MARK: TIMKEN

# TIMKEN

*tapered-roller bearings*

**MADE IN ENGLAND BY BRITISH TIMKEN LTD**

Duston, Northampton (Head Office), Daventry and Birmingham

Telephone Northampton 4921 8 & 3452 3 Telex No. 31-620 Telegrams Britimken Northampton Telex  
Subsidiary Companies Fischer Bearings Company Ltd. Wolverhampton Timken Fischer Stockists Ltd. Birmingham