

INVERTIBLE BIMODULES, MIYASHITA ACTION IN MONOIDAL CATEGORIES AND AZUMAYA MONOIDS

ALESSANDRO ARDIZZONI AND LAIACHI EL KAOUTIT

Abstract. In this paper we introduce and study Miyashita action in the context of monoidal categories aiming by this to provide a common framework of previous studies in the literature. We make a special emphasis of this action on Azumaya monoids. To this end, we develop the theory of invertible bimodules over different monoids (a sort of Morita contexts) in general monoidal categories as well as their corresponding Miyashita action. Roughly speaking, a Miyashita action is a homomorphism of groups from the group of all isomorphic classes of invertible subobjects of a given monoid to its group of automorphisms. In the symmetric case, we show that for certain Azumaya monoids, which are abundant in practice, the corresponding Miyashita action is always an isomorphism of groups. This generalizes Miyashita’s classical result and sheds light on other applications of geometric nature which cannot be treated using the classical theory. In order to illustrate our methods, we give a concrete application to the category of comodules over commutative (flat) Hopf algebroids. This obviously includes the special cases of split Hopf algebroids (action groupoids), which for instance cover the situation of the action of an affine algebraic group on an affine algebraic variety.

CONTENTS

0.1	Motivation and overview	2
0.2	Description of the main results	3
0.3	Basic notions, notations and general assumptions	6
1	Invertible bimodules and dualizable data, revisited	7
1.1	Right inverse versus right dualizable datum, and adjunctions	9
1.2	The group of invertible subbimodules	13

Received August 11, 2013. Revised September 3, 2014. Accepted July 31, 2015.

2010 Mathematics subject classification. Primary 18D10, 16H05; Secondary 14L30.

This paper was written while the first author was member of GNSAGA and partially supported by the research grant “Progetti di Eccellenza 2011/2012” from the “Fondazione Cassa di Risparmio di Padova e Rovigo”. The second author was supported by grant MTM2013-41992-P from the Ministerio de Educación y Ciencia of Spain. His stay, as a visiting professor at the University of Ferrara on 2010, was supported by INdAM.

© 2016 by The Editorial Board of the *Nagoya Mathematical Journal*

2	Miyashita action and invariant subobjects	17
2.1	Miyashita action: Definition	17
2.2	Invariant subobjects	24
3	The bijectivity of Miyashita action	28
3.1	The case when Φ is a monomorphism of groups	28
3.2	The case when Φ is an isomorphism of groups	31
4	Miyashita action: The Azumaya case	38
4.1	The map Γ	38
4.2	Central monoid with a left internal hom functor	41
4.3	The Azumaya case	42
5	Application to the category of comodules over a flat Hopf algebroid	48
A.1	From right dualizable datum to right inverse	51
A.2	Base change and dualizable datum	52
	References	61

Introduction

0.1 Motivation and overview

The notion of what is nowadays known as an Azumaya algebra was first formulated by Azumaya in [4, page 128] where he introduced the Brauer group of a local ring [4, page 138], generalizing by this the classical notion of Brauer group of a field which was extremely important in developing the arithmetic study of fields.

For a general commutative base ring, this notion was recovered later on by Auslander and Goldman in [3], where several new properties of Azumaya algebras were displayed; see for instance [3, Section 3]. In [2], Auslander extended this notion to ringed spaces, in the case of a topological space endowed with its structural sheaf of rings of continuous complex valued functions; Azumaya algebras¹ are interpreted as locally trivial algebra bundles whose fibers are central simple complex algebras (that is, square matrixes over complex numbers). As was shown by Grothendieck in [19, 1.1], the set of isomorphic classes of Azumaya algebras with constant rank n^2 over a topological space, is identified with the set of isomorphic classes of $GP(n)$ -principal bundles with base this space. Here $GP(n)$ is the projective

¹Or Azumaya monoid in the abelian symmetric monoidal category of quasi-coherent sheaves.

group with n variables over the complex numbers. By using the classifying space of this group, a homotopic interpretation of these Azumaya algebras over CW -complexes, is also possible [19, 1.1].

Naturally, with a compact base space, the global sections of an Azumaya algebra bundle give rise to an Azumaya algebra over the ring of continuous complex valued functions (the base ring). In this way, those Azumaya algebra bundles of rank n^2 lead to Azumaya algebras which are finitely generated and projective of locally constant rank n^2 as modules over the base ring. By the classification theorem [18, Théorème 6.6, Corollaire 6.7], a given Azumaya algebra is of this form if and only if it is a twisted form [18, (c) page 29] of an n -square matrixes algebra with coefficients in the base ring. The latter condition can be interpreted in the case of smooth manifolds², by saying that there is a surjective submersion to the base manifold such that the induced bundle of any Azumaya algebra bundle of rank n^2 is a trivial bundle.

There is no doubt then that Azumaya algebras are extremely rich objects which, along the last decades, have attracted the attention of several mathematicians from different areas. Unfortunately, we have the feeling that Azumaya algebras have not been deeply investigated in the general setting of abelian monoidal categories. However, the concept of an Azumaya monoid in symmetric monoidal categories has been earlier introduced in the literature, [11, 26, 30].

The main motivation of this paper is to try to fulfil this lack of investigation by introducing and studying Miyashita action on Azumaya monoids in abelian symmetric monoidal categories. Although the results displayed here can be applied to other situations, we limit ourselves to a concrete application concerning the category of comodules over commutative (flat) Hopf algebroids which up to our knowledge seems not to have been treated before.

0.2 Description of the main results

In the first part of this paper, that is Sections 1 and 2, we introduce and study Miyashita actions in monoidal categories. To be precise, let $(\mathcal{M}, \otimes, \mathbb{I})$ be a Penrose abelian locally small monoidal category whose tensor products \otimes are right exact functors (on both arguments), and consider two morphisms of monoids $R \rightarrow A \leftarrow S$ which are monomorphisms in \mathcal{M} .

²Or at least for almost complex manifolds.

We first consider the set $\text{Inv}_{S,R}(A)$ which consists of two-sided invertible (R, S) -sub-bimodules of A . These are isomorphic classes (X, i_X) of (R, S) -sub-bimodules with monomorphism $i_X : X \hookrightarrow A$ such that there exists another sub-bimodule (Y, i_Y) with compatible isomorphisms $X \otimes_R Y \cong S$ and $Y \otimes_S X \cong R$, each in the appropriate category of bimodules, which are defined via the multiplications of A with respect to R and S (the pair (X, Y) with the two isomorphisms is also referred to as a two-sided dualizable datum). Section 1 is entirely devoted to the properties of these data which will be used in the proofs of results stated in the forthcoming sections. It is noteworthy to mention here that the set $\text{Inv}_{S,R}(A)$ is quite different from the one already considered in the literature; see Remark 1.8 and Appendix A where this difference is made clearer.

Our goal in Section 2 is to construct the map Φ :

$$\Phi^{S,R} : \text{Inv}_{S,R}(A) \longrightarrow \text{Iso}_{\mathcal{Z}(\mathbb{I})\text{-alg}}(\mathcal{Z}_S(A), \mathcal{Z}_R(A)),$$

where \mathcal{Z} , \mathcal{Z}_R and \mathcal{Z}_S are the functors $\text{Hom}_{\mathcal{M}}(\mathbb{I}, -)$, $\text{Hom}_{{}_R\mathcal{M}_R}(R, -)$ and $\text{Hom}_{\mathcal{M}_S}(S, -)$, respectively (here ${}_R\mathcal{M}_R$ denotes the category of R -bimodules). The codomain of $\Phi^{S,R}$ is the set of $\mathcal{Z}(\mathbb{I})$ -algebra isomorphisms between the invariant algebras $\mathcal{Z}_S(A)$ and $\mathcal{Z}_R(A)$. In particular, when $R = S$, we show in Proposition 2.3 that the morphism $\Phi^R := \Phi^{R,R}$ factors as a composition of group homomorphisms:

$$\text{Inv}_R(A) \longrightarrow \text{Aut}_{\mathcal{Z}_R(R)\text{-alg}}(\mathcal{Z}_R(A)) \hookrightarrow \text{Aut}_{\mathcal{Z}(\mathbb{I})\text{-alg}}(\mathcal{Z}_R(A)).$$

The morphism Φ^R is known in the literature as *Miyashita action*. For $R = \mathbb{I}$, we clearly have a morphism of groups $\Omega : \text{Aut}_{\text{alg}}(A) \rightarrow \text{Aut}_{\mathcal{Z}(\mathbb{I})\text{-alg}}(\mathcal{Z}(A))$, $\gamma \mapsto \mathcal{Z}(\gamma)$, where $\text{Aut}_{\text{alg}}(A)$ is the group of monoid automorphisms of A .

The main aim of the second part of the paper, that is Sections 3 and 4, is to give conditions under which the map $\Phi^{\mathbb{I}}$, or some of its factors, becomes bijective. Explicitly in Theorem 3.4, we show that $\Phi^{\mathbb{I}}$ is injective when the base category \mathcal{M} is bicomplete and \mathbb{I} is isomorphic to a specific submonoid of A . If we further assume that $A \otimes A \sim A$ (i.e., A and $A \otimes A$ are direct summand of a product of finite copies of each other as A -bimodules), Ω is surjective and the functor $- \otimes A$ is exact, then $\Phi^{\mathbb{I}}$ comes out to be bijective; see Theorem 3.12 where other bijections were also established, when \mathcal{Z} is faithful (i.e., the unit object \mathbb{I} is a generator).

In Section 4, we study the behavior of $\Phi^{\mathbb{I}}$ in the case when \mathcal{M} is also symmetric. In Proposition 4.1, we construct a morphism of groups

$\Gamma : \text{Inv}_{\mathbb{I}}(A) \rightarrow \text{Aut}_{\text{alg}}(A)$, and show that $\Phi^{\mathbb{I}}$ decomposes as $\Phi^{\mathbb{I}} = \Gamma \circ \Omega$. After that, in Corollary 4.9, we show that Γ is bijective for any Azumaya monoid A whose enveloping monoid $A^e = A \otimes A^o$ is, as an A -bimodule, a direct summand of a product of finite copies of A , and always under the hypothesis that \mathcal{Z} is faithful.

Our main application, given in Section 5, deals with the category of (right) H -comodules over a commutative flat Hopf algebroid (R, H) , where the base ring R is assumed to be a generator. In fact, we show that the group of H -automorphisms of an Azumaya H -comodule R -algebra which satisfies the above condition is isomorphic to the group of all invertible H -subcomodules; see Corollary 5.5. The particular case of split Hopf algebroid is one of the best places where this application could have some geometric meaning. For instance, let us consider a compact Lie group G acting freely and smoothly on a manifold \mathfrak{M} . Assume that this action converts the ring $\mathcal{C}^\infty(\mathfrak{M})$ of smooth (complex valued) functions into an $\mathcal{R}_{\mathbb{C}}(G)$ -comodule \mathbb{C} -algebra, where $\mathcal{R}_{\mathbb{C}}(G)$ is the commutative Hopf \mathbb{C} -algebra of representative smooth functions on G . Now, consider the Hopf algebroid (R, H) with $R = \mathcal{C}^\infty(\mathfrak{M})$ and $H = \mathcal{C}^\infty(\mathfrak{M}) \otimes_{\mathbb{C}} \mathcal{R}_{\mathbb{C}}(G)$. In this way the R -module of smooth global sections of any G -equivariant complex vector bundle turns out to be an H -comodule. Hence an interpretation of our result in this setting can be given as follows. Take an Azumaya G -equivariant algebra bundle (\mathcal{E}, θ) of constant rank n^2 and consider its G -equivariant enveloping algebra bundle³ $(\mathcal{E} \otimes \mathcal{E}^o, \theta \otimes \theta^o)$ such that the canonical splitting $\mathcal{E} \otimes \mathcal{E}^o | \mathcal{E}$ in vector bundles is also G -equivariant⁴. Then we can affirm that the group of G -equivariant algebra automorphisms of \mathcal{E} is isomorphic to the group of (isomorphic classes) of all invertible G -equivariant subbundles⁵ of \mathcal{E} . Analogous affirmations take place in the context of affine algebraic varieties. In fact, we have an analogue result when G is an affine algebraic group acting freely (and algebraically) on an affine algebraic variety \mathcal{X} , by taking the split Hopf algebroid $H = \mathcal{P}(\mathcal{X}) \otimes \mathcal{P}(G)$, where $\mathcal{P}(\mathcal{X})$ is the commutative algebra

³The fibers of \mathcal{E}^o are the opposite algebras of the fibers of \mathcal{E} and the action $\theta \otimes \theta^o$ is the obvious one.

⁴that is the canonical monomorphism $\mathcal{E} \otimes \mathcal{E}^o \hookrightarrow \mathcal{E}^{(n^2)}$ is compatible with the action of G , that is with the θ 's.

⁵These are G -equivariant subbundles $(\mathcal{Y}, \theta|_{\mathcal{Y}})$ such that there exists another G -equivariant subbundle $(\mathcal{Z}, \theta|_{\mathcal{Z}})$ with $\mathcal{X} \otimes \mathcal{Y} \cong \mathcal{Z} \otimes \mathcal{X}$ to the trivial line bundle endowed with the trivial G -action.

of polynomial functions on \mathcal{X} , and $\mathcal{P}(G)$ is the Hopf algebra of polynomial functions on G .

0.3 Basic notions, notations and general assumptions

Let \mathcal{M} be an additive category. The notation $X \in \mathcal{M}$ means that X is an object in \mathcal{M} . The identity arrow Id_X of $X \in \mathcal{M}$ will be denoted by the object itself if there is no danger of misunderstanding. The sets of morphisms are denoted by $\text{Hom}_{\mathcal{M}}(X, Y)$, for $X, Y \in \mathcal{M}$. For two functors \mathcal{F} and \mathcal{G} the notation $\mathcal{F} \dashv \mathcal{G}$ means that \mathcal{F} is a left adjoint to \mathcal{G} .

Let $(\mathcal{M}, \otimes, \mathbb{I}, l, r)$ be a monoidal additive (resp. abelian) category, that is, \mathcal{M} is an additive (resp. abelian) category such that the tensor product \otimes is an additive bi-functor. Denote by $\mathcal{Z}(\mathbb{I}) = \text{Hom}_{\mathcal{M}}(\mathbb{I}, \mathbb{I})$ the commutative endomorphisms ring of the identity object \mathbb{I} . Clearly, each of the abelian groups $\text{Hom}_{\mathcal{M}}(X, Y)$ admits a canonical structure of $\mathcal{Z}(\mathbb{I})$ -bimodule. A $\mathcal{Z}(\mathbb{I})$ -bimodule is called *central* if the left $\mathcal{Z}(\mathbb{I})$ -module structure coincides with the right one.

Recall from [5, page 5825] that $(\mathcal{M}, \otimes, \mathbb{I}, l, r)$ is said to be Penrose if the abelian groups of morphisms are central $\mathcal{Z}(\mathbb{I})$ -bimodules. This in particular implies that \mathcal{M} is a $\mathcal{Z}(\mathbb{I})$ -linear category (i.e., \mathcal{M} is enriched in the monoidal category of $\mathcal{Z}(\mathbb{I})$ -modules). Notice that a braided monoidal additive category is always Penrose, cf. [5, remark on page 5825].

In this paper $(\mathcal{M}, \otimes, \mathbb{I}, l, r)$ is a Penrose monoidal abelian category, where tensor products are right exact on both factors, and the underlying category \mathcal{M} is locally small, that is the class of subobjects of any object is a set.

For a monoid (R, m_R, u_R) (or simply (R, m, u) when no confusion can be made), we denote by ${}_R\mathcal{M}$, \mathcal{M}_R and ${}_R\mathcal{M}_R$ its categories of left R -modules, right R -modules and R -bimodules, respectively. The category ${}_R\mathcal{M}_R$ inherits then a structure of monoidal abelian (also bicomplete if \mathcal{M} is) category with right exact tensor products denoted by $- \otimes_R -$; the unit object is R and the left, right constraints are denoted, respectively by l^R and r^R . Furthermore, the forgetful functor ${}_R\mathcal{M}_R \rightarrow \mathcal{M}$ is faithful and exact. We denote by $\text{End}_{\text{alg}}(R)$ the ring of monoid endomorphisms of R and by $\text{Aut}_{\text{alg}}(R)$ its group of units.

Given a second monoid S , we use the classical notation for morphisms of left, right and bimodules. That is, we denote by $\text{Hom}_S(X, Y)$ the set of left S -module morphisms, by $\text{Hom}_R(U, V)$ the set of right R -module morphisms, and by $\text{Hom}_{S, R}(P, Q)$ the set of (S, R) -bimodule morphisms

(S on the left and R on the right). We will use the notation $\mathcal{Z}_R(-)$ for the functor $\text{Hom}_{R,R}(R, -)$ and similarly for $\mathcal{Z}_S(-)$.

An object X in \mathcal{M} is called *left* (resp. *right*) *flat*, if the functor $- \otimes X : \mathcal{M} \rightarrow \mathcal{M}$ (resp. $X \otimes - : \mathcal{M} \rightarrow \mathcal{M}$) is left exact. Obviously, if \mathcal{M} is symmetric, then left flat is equivalent to right flat, and the adjective left or right is omitted.

§1. Invertible bimodules and dualizable data, revisited

Let A, R, S be monoids in $(\mathcal{M}, \otimes, \mathbb{I})$ and let $\alpha : R \rightarrow A, \beta : S \rightarrow A$ be morphisms of monoids. One can consider in a canonical way A as a monoid simultaneously in the monoidal categories of bimodules $({}_R\mathcal{M}_R, \otimes_R, R, l^R, r^R)$ and $({}_S\mathcal{M}_S, \otimes_S, S, l^S, r^S)$. To distinguish the multiplications of A in these different categories, we use the following notations: m_A^R, m_A^S .

Consider A as an (R, S) -bimodule via α and β . By an (R, S) -sub-bimodule of A , we mean a pair (X, i_X) where X is an (R, S) -bimodule and $i_X : X \rightarrow A$ a monomorphism of (R, S) -bimodules. Consider

$$\mathcal{P}({}_R A_S) := \left\{ (R, S)\text{-sub-bimodules } (X, i_X) \text{ of } {}_R A_S \right\}.$$

Since the base category \mathcal{M} is locally small, $\mathcal{P}({}_R A_S)$ is a skeletally small category, where a morphism $f : X \rightarrow X'$ is a morphism of (R, S) -bimodules satisfying $i_{X'} \circ f = i_X$. We will not make a difference between the category $\mathcal{P}({}_R A_S)$ and its skeleton set, that is, between an object X and its representing element (X, i_X) . In this way, an element (or an object) $(X, i_X) \in \mathcal{P}({}_R A_S)$ will be simply denoted by X , where the (fixed) monomorphism of (R, S) -bimodules i_X is implicitly understood. Similar conventions and considerations are applied to the set $\mathcal{P}({}_S A_R)$.

Given $X \in \mathcal{P}({}_R A_S)$ and $Y \in \mathcal{P}({}_S A_R)$, one defines

- (1) $f_X := m_A^S \circ (i_X \otimes_S A) : X \otimes_S A \rightarrow A,$
- (2) $g_Y := m_A^S \circ (A \otimes_S i_Y) : A \otimes_S Y \rightarrow A.$

Using this time the multiplication m_A^R , one analogously defines $f_Y : Y \otimes_R A \rightarrow A$ and $g_X : A \otimes_R X \rightarrow A$.

Recall the following two definitions which will play a central role in this section.

DEFINITION 1.1. A *right inverse* for $X \in \mathcal{P}({}_R A_S)$ consists of an element $Y \in \mathcal{P}({}_S A_R)$ such that

- there are morphisms $m_X = m_{X,Y} : X \otimes_S Y \rightarrow R$ in ${}_R\mathcal{M}_R$ and $m_Y = m_{Y,X} : Y \otimes_R X \rightarrow S$ in ${}_S\mathcal{M}_S$ fulfilling

$$(3) \quad \alpha \circ m_X = m_A^S \circ (i_X \otimes_S i_Y),$$

$$(4) \quad \beta \circ m_Y = m_A^R \circ (i_Y \otimes_R i_X),$$

- m_X is an isomorphism.

We also say that X is a *right invertible* sub-bimodule. *Left* and *two-sided inverses* are obviously defined.

DEFINITION 1.2. An (R, S) -bimodule X is called *right dualizable* if there exist an (S, R) -bimodule Y and morphisms

$$\text{ev} : Y \otimes_R X \rightarrow S \quad \text{and} \quad \text{coev} : R \rightarrow X \otimes_S Y,$$

of S -bimodules and R -bimodules respectively, such that the following equalities hold true

$$(5) \quad r_X^S \circ (X \otimes_S \text{ev}) \circ (\text{coev} \otimes_R X) \circ (l_X^R)^{-1} = X,$$

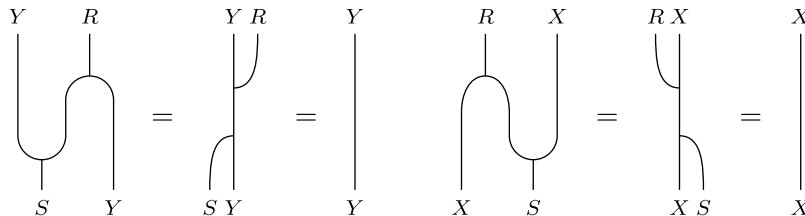
$$(6) \quad l_Y^S \circ (\text{ev} \otimes_S Y) \circ (Y \otimes_R \text{coev}) \circ (r_Y^R)^{-1} = Y.$$

We will also say that $(X, Y, \text{ev}, \text{coev})$ is a *right dualizable datum* in this case. Notice, that the same definition was given in [27, Definition 2.1] with different terminology, where condition (ii) in that definition always holds true under our assumptions. If $R = S$, then of course we have that Y is a (left) dual object of X in the monoidal category of bimodules ${}_R\mathcal{M}_R$. In such case, if Y exists, it is unique up to isomorphism.

The following standard diagrammatic notation will be used in the sequel.



In terms of these diagrams, equations (5) and (6) are represented as follows (notice that several kinds of tensor products are involved)



which we use in the following form, where, as customary, we get rid of the unit constraints.

$$(7) \quad \begin{array}{ccc} \begin{array}{c} Y \\ | \\ \text{---} \\ | \\ Y \end{array} & = & \begin{array}{c} Y \\ | \\ Y \end{array} \end{array} \quad \begin{array}{ccc} \begin{array}{c} X \\ | \\ \text{---} \\ | \\ X \end{array} & = & \begin{array}{c} X \\ | \\ X \end{array} \end{array}$$

1.1 Right inverse versus right dualizable datum, and adjunctions

The main aim of this subsection is to check that the right inverse, if it exists, is unique up to isomorphism. To this end, we first show that the existence of a right inverse leads in fact to a right dualizable datum. The converse holds true under some more assumptions; see Section A.1. Secondly we show, as it might be expected, that a dualizable datum entails adjunctions.

PROPOSITION 1.3. *Let $Y \in \mathcal{P}({}_S A_R)$ be a right inverse of $X \in \mathcal{P}({}_R A_S)$, as in Definition 1.1. Set*

$$ev := m_Y : Y \otimes_R X \rightarrow S \quad \text{and} \quad coev := (m_X)^{-1} : R \rightarrow X \otimes_S Y.$$

Then

- (i) $(X, Y, ev, coev)$ is a right dualizable datum;
- (ii) we have that

$$(8) \quad m_A^S \circ (i_X \otimes_S i_Y) \circ coev = \alpha,$$

$$(9) \quad m_A^R \circ (i_Y \otimes_R i_X) = \beta \circ ev.$$

Proof. (i) Assume that there is another $X' \in \mathcal{P}({}_R A_S)$ with right inverse $Y' \in \mathcal{P}({}_S A_R)$. Then, for any pair of morphisms $(f, g) \in \text{Hom}_{\mathcal{P}({}_R A_S)}(X', X) \times \text{Hom}_{\mathcal{P}({}_S A_R)}(Y, Y')$, we define

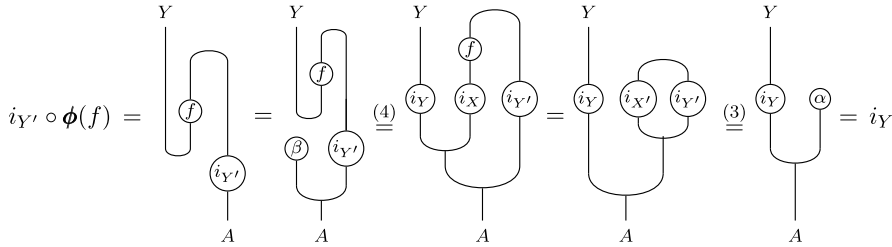
$$(10) \quad \phi(f) := \begin{array}{c} Y \\ | \\ \text{---} \\ | \\ Y' \end{array} \quad \psi(g) := \begin{array}{c} X' \\ | \\ \text{---} \\ | \\ X \end{array}$$

Explicitly, ϕ and ψ are given by

$$(11) \quad \phi_{Y,Y'}(f) := l_{Y'}^S \circ (m_{Y,X} \otimes_S Y') \circ (Y \otimes_R f \otimes_S Y') \circ (Y \otimes_R (m_{X',Y'}^{-1})^{-1}) \circ (r_Y^R)^{-1},$$

$$(12) \quad \psi_{X',X}(g) := r_X^S \circ (X \otimes_S m_{Y',X'}) \circ (X \otimes_S g \otimes_R X') \circ (m_{X',Y}^{-1} \otimes_R X') \circ (l_{X'}^R)^{-1}.$$

Therefore, we have



Similarly, one obtains the equality $i_X \circ \psi(g) = i_{X'}$. Now, for $X = X'$, $Y = Y'$ and $f = \text{Id}_X$, we get $i_Y \circ \phi(\text{Id}_X) = i_Y$ which implies that $\phi(\text{Id}_X) = \text{Id}_Y$, since i_Y is a monomorphism. Taking now $g = \text{Id}_Y$, we obtain $\psi(\text{Id}_Y) = \text{Id}_X$. Both equalities $\psi(\text{Id}_Y) = \text{Id}_X$ and $\phi(\text{Id}_X) = \text{Id}_Y$ form precisely equation (7), and this finishes the proof of this item.

(ii) Equalities (8) and (9) are just (3) and (4) rewritten with respect to ev and coev. □

The following result is inspired by the equivalence between (ii) and (iii) in [22, Theorem 2.6]; see also [27, Proposition 2.2]. For the reader's sake we give here a diagrammatic proof.

PROPOSITION 1.4. *Let $(X, Y, \text{ev}, \text{coev})$ be a right dualizable datum, as in Definition 1.2. Then the assignments*

$$\begin{aligned} \phi : (f : V \otimes_R X \longrightarrow W) & \longmapsto \left(V \xrightarrow{(r_V^R)^{-1}} V \otimes_R R \xrightarrow{V \otimes_R \text{coev}} V \otimes_R X \otimes_S Y \xrightarrow{f \otimes_S Y} W \otimes_S Y \right) \\ \psi : (g : V \longrightarrow W \otimes_S Y) & \longmapsto \left(V \otimes_R X \xrightarrow{g \otimes_R X} W \otimes_S Y \otimes_R X \xrightarrow{W \otimes_S \text{ev}} W \otimes_S S \xrightarrow{r_W^S} W \right) \end{aligned}$$

yield a natural isomorphism

$$\text{Hom}_{\mathcal{M}_S}(V \otimes_R X, W) \cong \text{Hom}_{\mathcal{M}_R}(V, W \otimes_S Y).$$

In other words the functor $(-) \otimes_R X : \mathcal{M}_R \rightarrow \mathcal{M}_S$ is left adjoint to the functor $(-) \otimes_S Y : \mathcal{M}_S \rightarrow \mathcal{M}_R$. We also have that $Y \otimes_R (-) : {}_R\mathcal{M} \rightarrow {}_S\mathcal{M}$ is a left adjoint of $X \otimes_S (-) : {}_S\mathcal{M} \rightarrow {}_R\mathcal{M}$.

Proof. The naturality of both ϕ and ψ is clear. Now, for f as above we have

$$\psi\phi(f) = \begin{array}{c} V \quad X \\ | \quad | \\ \boxed{\phi(f)} \\ | \quad | \\ W \end{array} = \begin{array}{c} V \quad X \\ | \quad | \\ \boxed{f} \\ | \quad | \\ W \end{array} \stackrel{(7)}{=} \begin{array}{c} V \quad X \\ | \quad | \\ \boxed{f} \\ | \\ W \end{array} = f$$

If we reflect horizontally the diagrams above and we apply the substitutions $\psi \leftrightarrow \phi, f \mapsto g, V \leftrightarrow W, X \mapsto Y$, we get the diagrammatic proof for the equality $\phi(\psi(g)) = g$. The last adjunction is similarly proved. \square

As a consequence of Propositions 1.3 and 1.4, we obtain the desired uniqueness of the right inverse, since we know that a right adjoint functor is unique up to a natural isomorphism.

COROLLARY 1.5. *Let $X \in \mathcal{P}({}_R A_S)$. Then a right inverse of X , if it exists, is unique up to an isomorphism in $\mathcal{P}({}_S A_R)$. More precisely, assume that $Y, Y' \in \mathcal{P}({}_S A_R)$ are two right inverses of X . Then*

$$i_{Y,Y'} := \phi_{Y,Y'}(\text{Id}_X) : Y \rightarrow Y', \quad \text{and} \quad i_{Y',Y} := \phi_{Y',Y}(\text{Id}_X) : Y' \rightarrow Y$$

are mutual inverses in $\mathcal{P}({}_S A_R)$, where ϕ is as in (11). Moreover, if α and β are monomorphisms, we also have

$$(13) \quad m_{Y',X} \circ (i_{Y,Y'} \otimes_R X) = m_{Y,X},$$

$$(14) \quad m_{X,Y'} \circ (X \otimes_S i_{Y,Y'}) = m_{X,Y}.$$

Proof. We only show the last statement. The equality (13) is shown as follows:

$$\begin{aligned}
 \beta \circ m_{Y',X} \circ (i_{Y,Y'} \otimes_R X) &\stackrel{(4)}{=} m_A^R \circ (i_{Y'} \otimes_R i_X) \circ (\phi_{Y,Y'}(\text{Id}_X) \otimes_R X) \\
 &= m_A^R \circ ((i_{Y'} \circ \phi_{Y,Y'}(\text{Id}_X)) \otimes_R i_X) \\
 &= m_A^R \circ (i_Y \otimes_R i_X) \stackrel{(4)}{=} \beta \circ m_{Y,X}.
 \end{aligned}$$

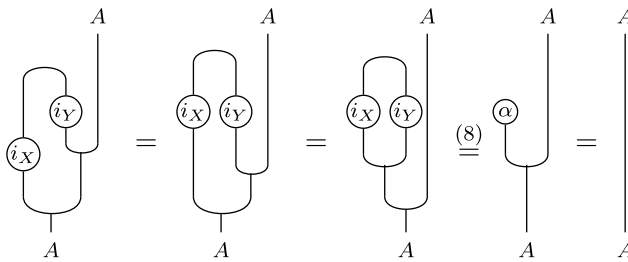
Equality (14) follows similarly. □

We finish this subsection by giving more properties of dualizable datum which in fact lead to a characterization of right invertible sub-bimodules.

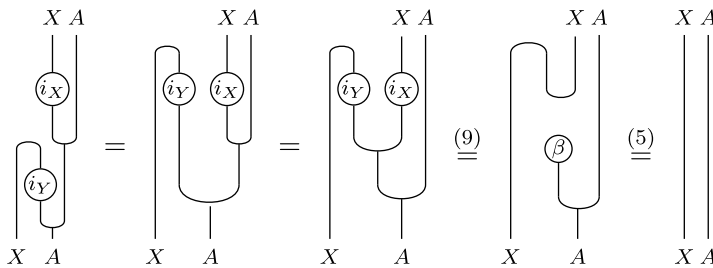
PROPOSITION 1.6. *Let $(X, Y, \text{ev}, \text{coev})$ be a right dualizable datum such that $X \in \mathcal{P}({}_R A_S)$ and $Y \in \mathcal{P}({}_S A_R)$ with associated monomorphisms i_X, i_Y satisfying equations (8) and (9). Then the morphisms f_X and g_Y of equations (1) and (2) are isomorphisms with inverses*

$$\begin{aligned}
 f_X^{-1} &= (X \otimes_S m_A^R) \circ (X \otimes_S i_Y \otimes_R A) \circ (\text{coev} \otimes_R A) \circ (l_A^R)^{-1}, \\
 g_Y^{-1} &= (m_A^R \otimes_S Y) \circ (A \otimes_R i_X \otimes_S Y) \circ (A \otimes_R \text{coev}) \circ (r_A^R)^{-1}.
 \end{aligned}$$

Proof. Let us prove that f_X and $(X \otimes_S m_A^R) \circ (X \otimes_S i_Y \otimes_R A) \circ (\text{coev} \otimes_R A) \circ (l_A^R)^{-1}$ are mutual inverses (the proof for g_Y is analogous). One composition can be computed by means of the following tangle diagrams.



The other composition is computed as follows.



□

Combining Proposition 1.3 with Proposition 1.6, we obtain

COROLLARY 1.7. *Let $Y \in \mathcal{P}({}_S A_R)$ be a right inverse of $X \in \mathcal{P}({}_R A_S)$. Then the morphisms $f_X : X \otimes_S A \rightarrow A$ and $g_Y : A \otimes_S Y \rightarrow A$ defined in (1) and (2) are isomorphisms.*

REMARK 1.8. Corollary 1.7 says that, if $X \in \mathcal{P}({}_R A_S)$ has a right inverse, then f_X is an isomorphism. Implicitly, an analogous statement holds true for left invertible elements in $\mathcal{P}({}_S A_R)$. At this level of generality the converse of this implication is not at all a trivial question. However, once assumed that X belongs to a right dualizable datum $(X, Y, \text{ev}, \text{coev})$ with $Y \in \mathcal{P}({}_R A_S)$ such that f_X is an isomorphism and that ev, coev satisfy equations (8) and (9), then one can construct a new submonoid R' of A in such a way that $X \in \mathcal{P}({}_{R'} A_S)$ is right invertible. The complete proof of this fact is included in the Appendix; see Theorem A.4. On the other hand, one can define a right invertible (R, S) -sub-bimodule as a sub-bimodule X of A whose associated morphism f_X is an isomorphism. This was in fact the approach adopted in [8, 12, 21]. It is noteworthy to mention that these arguments show in fact that our approach runs in a different direction.

1.2 The group of invertible sub-bimodules

Before introducing the set of two-sided invertible sub-bimodules, which will be our main object of study in the forthcoming sections, this lemma is needed:

LEMMA 1.9. *Let $X, X' \in \mathcal{P}({}_R A_S)$ have right inverses $Y, Y' \in \mathcal{P}({}_S A_R)$ respectively, as in Definition 1.1. Then the maps $\phi_{Y, Y'}$ and $\psi_{X', X}$ given by the formulas (11), (12), yield an isomorphism*

$$\text{Hom}_{\mathcal{P}({}_R A_S)}(X', X) \cong \text{Hom}_{\mathcal{P}({}_S A_R)}(Y, Y').$$

Moreover, we have

$$\begin{aligned} \phi_{X, X}(\text{Id}_X) &= \text{Id}_Y, & \psi_{Y, Y}(\text{Id}_Y) &= \text{Id}_X, \\ \phi(f) \circ \phi(f') &= \phi(f' \circ f), & \psi(g) \circ \psi(g') &= \psi(g' \circ g), \end{aligned}$$

where in the last two equations different ϕ 's and ψ 's are employed.

Proof. First note that the required isomorphism is obtained, using the adjunctions of Proposition 1.4, as follows:

$$\begin{aligned} \text{Hom}_{R, S}(X', X) &\cong \text{Hom}_{R, S}(R \otimes_R X', X) \cong \text{Hom}_{R, R}(R, X \otimes_S Y') \\ &\cong \text{Hom}_{S, R}(Y \otimes_R R, Y') \cong \text{Hom}_{S, R}(Y, Y'). \end{aligned}$$

By (7), it is clear that $\phi_{X,X}(\text{Id}_X) = \text{Id}_Y$ and $\psi_{Y,Y}(\text{Id}_Y) = \text{Id}_X$. The following diagrams show that

$$\phi(f) \circ \phi(f') = \begin{array}{c} Y \\ \downarrow \\ \text{---} \circlearrowleft (f') \text{---} \\ \downarrow \\ \text{---} \circlearrowleft (f) \text{---} \\ \downarrow \\ Y \end{array} \stackrel{(7)}{=} \begin{array}{c} Y' \\ \downarrow \\ \text{---} \circlearrowleft (f) \text{---} \\ \downarrow \\ \text{---} \circlearrowleft (f') \text{---} \\ \downarrow \\ Y' \end{array} = \phi(f' \circ f).$$

If we reflect horizontally the diagrammatic proof above we get $\psi(g) \circ \psi(g') = \psi(g' \circ g)$. □

DEFINITION 1.10. Let (A, m, u) be a monoid in \mathcal{M} and $\alpha : R \rightarrow A \leftarrow S : \beta$ two morphisms of monoids. We define

$$\text{Inv}_{R,S}^r(A) := \{X \in \mathcal{P}(RAS) \mid X \text{ has a right inverse, as in Definition 1.1}\}.$$

Similarly, one can define $\text{Inv}_{R,S}^l(A)$; interchanging R by S , one defines $\text{Inv}_{S,R}^r(A)$ and $\text{Inv}_{S,R}^l(A)$.

The following lemma establishes a functorial relation between the left- and right-hand sides versions of the previous definition.

LEMMA 1.11. Consider $\text{Inv}_{R,S}^r(A)$ and $\text{Inv}_{S,R}^l(A)$ as full subcategories of $\mathcal{P}(RAS)$ and $\mathcal{P}(SAR)$, respectively. Then there is an isomorphism of categories

$$\Phi : \text{Inv}_{R,S}^r(A) \xrightarrow{\cong} \text{Inv}_{S,R}^l(A)^{op}.$$

Proof. First notice that both $\text{Inv}_{R,S}^r(A)$ and $\text{Inv}_{S,R}^l(A)$ are regarded as skeletal categories, in the sense that any two isomorphic objects are identical [20, page 91]. Therefore, in view of Lemma 1.5, if $X \in \mathcal{P}(RAS)$ has a right inverse, then this inverse is unique and denoted by X^r . Thus to each object $X \in \text{Inv}_{R,S}^r(A)$ it corresponds a unique object $X^r \in \text{Inv}_{S,R}^l(A)$. This establishes a bijection at the level of objects. By Lemma 1.9 we know that the maps ϕ of equation (11) induce isomorphisms $\text{Hom}_{\text{Inv}_{R,S}^r(A)}(X, U) \cong \text{Hom}_{\text{Inv}_{S,R}^l(A)}(U^r, X^r)$, which, by the last equations of that Lemma, give the desired contravariant category isomorphism Φ . □

The image of an element $X \in \text{Inv}_{R,S}^r(A)$ by the functor Φ of Lemma 1.11 will be denoted by X^r . The set of two-sided invertible sub-bimodules

is then defined in the following way:

$$\text{Inv}_{R,S}(A) := \left\{ X \in \text{Inv}_{R,S}^r(A) \mid m_{X^r} \text{ is an isomorphism; see Definition 1.1} \right\}.$$

One shows the following equivalent description of this set

$$\text{Inv}_{R,S}(A) = \text{Inv}_{R,S}^r(A) \cap \text{Inv}_{R,S}^l(A),$$

where the intersection is that of two subsets of $\mathcal{P}(RAS)$.

Let $X \in \mathcal{P}(RAS)$ and $X' \in \mathcal{P}(SAT)$, where $\gamma : T \rightarrow A$ is another morphism of monoids. The image of the morphism

$$m_A^S \circ (i_X \otimes_S i_{X'}) : X \otimes_S X' \rightarrow A,$$

will be denoted by $(XX', i_{XX'} : XX' \rightarrow A)$, which will be considered as an element in $\mathcal{P}(RAT)$.

PROPOSITION 1.12. *Let $\alpha : R \rightarrow A, \beta : S \rightarrow A$ and $\gamma : T \rightarrow A$ be morphisms of monoids in \mathcal{M} . Let $X \in \text{Inv}_{R,S}^r(A)$ and $X' \in \text{Inv}_{S,T}^r(A)$ with right inverses Y and Y' , respectively. Then*

- (i) $m_A^S \circ (i_X \otimes_S i_{X'})$ and $m_A^S \circ (i_{Y'} \otimes_S i_Y)$ are monomorphisms that is $X \otimes_S X' \cong XX'$ and $Y' \otimes_S Y \cong Y'Y$, as (R, T) -bimodules.
- (ii) $X \otimes_S X' \in \text{Inv}_{R,T}^r(A)$ and its right inverse is $Y' \otimes_S Y$.

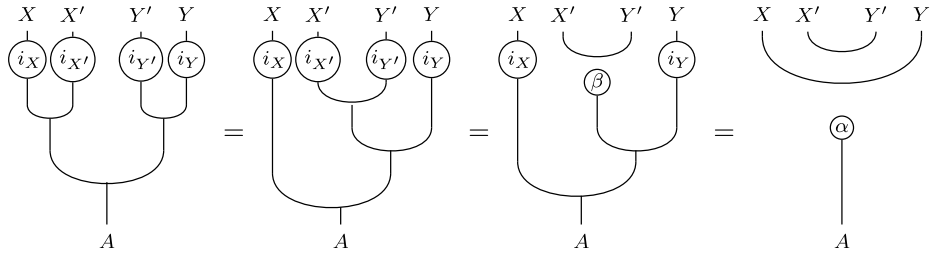
Moreover, we have a functor $\text{Inv}_{R,S}^r(A) \times \text{Inv}_{S,T}^r(A) \rightarrow \text{Inv}_{R,T}^r(A)$.

Proof. (1) By Proposition 1.4, the functor $X \otimes_S (-)$ is a right adjoint and hence left exact so that $X \otimes_S i_{X'}$ is a monomorphism. By Corollary 1.7, the morphism $f_X : X \otimes_S A \rightarrow A$ is an isomorphism. Thus $m_A^S \circ (i_X \otimes_S i_{X'}) = f_X \circ (X \otimes_S i_{X'}) : X \otimes_S X' \rightarrow A$ is a monomorphism. Similarly, using the fact that the functor $(-) \otimes_S Y$ is a right adjoint (Proposition 1.4) and that $g_Y := m_A^S \circ (A \otimes_S i_Y)$ is an isomorphism (Corollary 1.7) one gets that $m_A^S \circ (i_{Y'} \otimes_S i_Y)$ is a monomorphism too.

(2) Define $m_{X \otimes_S X'}$ and $m_{Y' \otimes_S Y}$ diagrammatically by setting

$$m_{X \otimes_S X'} = \begin{array}{c} X \quad X' \quad Y' \quad Y \\ \frown \qquad \qquad \smile \\ \end{array} \qquad m_{Y' \otimes_S Y} = \begin{array}{c} Y' \quad Y \quad X \quad X' \\ \frown \qquad \qquad \smile \\ \end{array}$$

Now, using equation (3) for X' and X , one gets the same equality for $X \otimes_S X'$ as follows.



The same diagrammatic proof, once applied the substitutions $X \leftrightarrow Y', Y \leftrightarrow X'$ and $\alpha \leftrightarrow \gamma$, yields (4) for $Y' \otimes_S Y$ using the corresponding equality for Y and Y' . The last statement is clear. \square

COROLLARY 1.13. *Assume that $\beta : S \rightarrow A$ is a monomorphism. Then $\text{Inv}_{S,S}^r(A)$ is a monoid where the multiplication of $X, X' \in \text{Inv}_{S,S}^r(A)$ is given by $X \otimes_S X'$ with monomorphism $i_{X \otimes_S X'} := m_A^S \circ (i_X \otimes_S i_{X'})$. The neutral element is $S \in \text{Inv}_{S,S}^r(A)$ via β . Moreover, $\text{Inv}_{S,S}(A)$ is the group of units of this monoid.*

Proof. Let $X, X' \in \text{Inv}_{S,S}^r(A)$. By Proposition 1.12, we have $X \otimes_S X' \in \text{Inv}_{S,S}^r(A)$, with monomorphism $m_A^S \circ (i_X \otimes_S i_{X'})$, so that \otimes_S is a well-defined multiplication for $\text{Inv}_{S,S}^r(A)$. It is clearly associative. Note that $X \otimes_S S = X = S \otimes_S X$ as sub-bimodules of A (these equalities make sense as the definition of subobject is given up to isomorphism, cf. [20, page 122]). Thus S is the neutral element for this operation.

Let us check the last statement. For this consider $X \in \text{Inv}_{S,S}^r(A)$ and Y its right inverse (as in Definition 1.1). Then, by equation (3), we have

$$i_{X \otimes_S Y} := m_A^S \circ (i_X \otimes_S i_Y) = \beta \circ m_X.$$

This means that $X \otimes_S Y = S \in \text{Inv}_{S,S}^r(A)$, as $m_X : X \otimes_S Y \rightarrow S$ is an isomorphism. Therefore, any element in $\text{Inv}_{S,S}^r(A)$ is already right invertible w.r.t. to the multiplication \otimes_S . Thus an element $X \in \text{Inv}_{S,S}^r(A)$ belongs to the group of units if and only if it has a left \otimes_S -inverse. Note that, in this case, the left and the right inverses should coincide as we are in a monoid. Therefore, the element X is \otimes_S -invertible if and only if $Y \otimes_S X = S$. Now, $Y \otimes_S X$ is sub-bimodule of A via $m_A^S \circ (i_Y \otimes_S i_X) = \beta \circ m_Y$ by equation (4). Thus, the equality $Y \otimes_S X = S$ holds if and only if there is an isomorphism $\xi : Y \otimes_S X \rightarrow S$ of bimodules over S such that $\beta \circ \xi = \beta \circ m_Y$. Since we are assuming β to be a monomorphism, this equality is equivalent to say that m_Y is an isomorphism. This entails that X is \otimes_S -invertible if and only if $X \in \text{Inv}_{S,S}(A)$. \square

The group $\text{Inv}_{S,S}(A)$, considered in Corollary 1.13, will also be denoted by $\text{Inv}_S(A)$.

PROPOSITION 1.14. *Let $X, X' \in \text{Inv}_{R,S}(A)$ be two-sided invertible sub-bimodules of A with inverses $Y, Y' \in \text{Inv}_{S,R}(A)$, respectively. Consider the category isomorphism Φ of Lemma 1.11, and assume that there is a monomorphism $i: X \hookrightarrow X'$ of bimodules in $\mathcal{P}({}_R A_S)$ (i.e., satisfying $i_{X'} \circ i = i_X$).*

- (1) *The morphism i is an isomorphism if and only if $\Phi(i)$ is.*
- (2) *Assume further that there is a monomorphism of bimodules $j: Y \hookrightarrow Y'$ in $\mathcal{P}({}_S A_R)$ (i.e., satisfying $i_{Y'} \circ j = i_Y$). Then both i and j are isomorphisms that is $X = X'$ and $Y = Y'$ as elements in $\text{Inv}_{R,S}(A)$ and $\text{Inv}_{S,R}(A)$, respectively.*

Proof. (1) is trivial.

(2) From Lemma 1.11 we know that $i_Y \circ \Phi(i) = i_{Y'}$. Thus $i_{Y'} \circ j \circ \Phi(i) = i_Y \circ \Phi(i) = i_{Y'}$. Since $i_{Y'}$ is a monomorphism, we get $j \circ \Phi(i) = \text{Id}_{Y'}$. Similarly one proves that $\Phi(i) \circ j = \text{Id}_Y$. Thus j and $\Phi(i)$ are isomorphisms. By (1), the morphism i is an isomorphism too, and this finishes the proof. □

§2. Miyashita action and invariant subobjects

In this section we assume that our base monoidal category $(\mathcal{M}, \otimes, \mathbb{I}, l, r)$ is also bicomplete. In what follows let A, R and S be three monoids in \mathcal{M} and $\alpha: R \rightarrow A \leftarrow S: \beta$ be morphisms of monoids which are monomorphisms in \mathcal{M} . We denote by $\mathcal{Z}: \mathcal{M} \rightarrow \text{Mod}_{\mathcal{Z}(\mathbb{I})}$ the functor $\text{Hom}_{\mathcal{M}}(\mathbb{I}, -)$, where $\text{Mod}_{\mathcal{Z}(\mathbb{I})}$ denotes the category of $\mathcal{Z}(\mathbb{I})$ -modules. Analogously, we denote by $\mathcal{Z}_R(-): {}_R \mathcal{M}_R \rightarrow \text{Mod}_{\mathcal{Z}_R(R)}$ the functor $\text{Hom}_{R,R}(R, -)$, and similarly we consider $\mathcal{Z}_S(-)$.

2.1 Miyashita action: Definition

In this subsection we introduce the *Miyashita action* in the context of monoidal categories. This is a map (group homomorphism) which connects $\text{Inv}_{S,R}^r(A)$ (resp. $\text{Inv}_{S,R}(A)$) with the set of (iso)morphisms of $\mathcal{Z}(\mathbb{I})$ -algebras from $\mathcal{Z}_S(A)$ to $\mathcal{Z}_R(A)$. The latter can be seen as the invariants (subalgebra) of A with respect to S and R , respectively (usually they are denoted by A^S and A^R respectively in the classical case).

Let M be a left S -module and let N be an A -bimodule. Consider the action $\mathcal{Z}_S(A) \times \text{Hom}_{S\text{-}}(M, N) \rightarrow \text{Hom}_{S\text{-}}(M, N): (z, h) \mapsto z \triangleright_S h$ defined by setting

$$(16) \quad z \triangleright_S h := \left(M \xrightarrow{(l_M^S)^{-1}} S \otimes_S M \xrightarrow{z \otimes_S h} A \otimes_S N \xrightarrow{\rho_N^S} N \right)$$

Similarly one defines the action $\text{Hom}_{\cdot R}(M, N) \times \mathcal{Z}_R(A) \rightarrow \text{Hom}_{\cdot R}(M, N) : (f, z) \mapsto f \triangleleft_R z$. When $S = R = \mathbb{I}$ we omit the subscripts and write $f \triangleleft z$ and $z \triangleright f$.

LEMMA 2.1. *Let $(\mathcal{M}, \otimes, \mathbb{I})$ be a monoidal category. Let $(C, \Delta_C, \varepsilon_C)$ be a comonoid in $(\mathcal{M}, \otimes, \mathbb{I})$ and let (A, m_A, u_A) be a monoid in $(\mathcal{M}, \otimes, \mathbb{I})$. Then*

$$(B = \text{Hom}_{\mathcal{M}}(C, A), m_B, 1_B)$$

is a \mathbb{Z} -algebra where, for all $f, g \in B$

$$f * g := m_B \circ (f \otimes g) := m_A \circ (f \otimes g) \circ \Delta_C \quad \text{and} \quad 1_B := u_A \circ \varepsilon_C.$$

Proof. Straightforward. □

Since $(R, (l_R^R)^{-1}, \text{Id}_R)$ is a comonoid and (A, m_A^R, α) is a monoid, both in $({}_R\mathcal{M}_R, \otimes_R, R)$, we have that $\mathcal{Z}_R(A)$ is a \mathbb{Z} -algebra by Lemma 2.1. Furthermore, since the base category is assumed to be Penrose, we have that $R \otimes t = t \otimes R$ for every element t in $\mathcal{Z}(\mathbb{I})$ which in fact defines an algebra map $\mathcal{Z}(\mathbb{I}) \rightarrow \mathcal{Z}_R(R)$ so that $\mathcal{Z}_R(R)$ becomes a commutative $\mathcal{Z}(\mathbb{I})$ -algebra. In this way, the map $\mathcal{Z}_R(\alpha)$ clearly induces a structure of $\mathcal{Z}(\mathbb{I})$ -algebra on $\mathcal{Z}_R(A)$. Explicitly, the unit $\tilde{\alpha} : \mathcal{Z}(\mathbb{I}) \rightarrow \mathcal{Z}_R(A)$ of this algebra maps an element $t \in \mathcal{Z}(\mathbb{I})$ to $\alpha \circ (R \otimes t) = \alpha \circ (t \otimes R)$ which is an element in $\mathcal{Z}_R(A)$. Similarly, one constructs $\tilde{\beta} : \mathcal{Z}(\mathbb{I}) \rightarrow \mathcal{Z}_S(A)$. On the other hand, one shows that the map

$$(17) \quad \varphi_R : \mathcal{Z}_R(A) \rightarrow \mathcal{Z}(A), \quad f \mapsto f \circ u_R$$

is multiplicative and satisfies $\varphi_R \circ \tilde{\alpha} = \mathcal{Z}(u)$, so that it is a $\mathcal{Z}(\mathbb{I})$ -algebra map. Moreover, by using that morphisms in $\mathcal{Z}_R(A)$ are of R -bimodules, one also gets that φ_R is always injective. In this way, both $\mathcal{Z}_R(A)$ and $\mathcal{Z}_S(A)$ become $\mathcal{Z}(\mathbb{I})$ -subalgebras of $\mathcal{Z}(A)$.

PROPOSITION 2.2. *For any $g \in \mathcal{Z}_S(A)$ and $X \in \text{Inv}_{R, S}^r(A)$ let $\sigma_X^{S, R}(g) := \sigma_X(g) : R \rightarrow A$ be defined by*

$$(18) \quad \sigma_X(g) = m_A^S \circ (i_X \otimes_S (g \triangleright_S i_Y)) \circ (m_X)^{-1},$$

where Y is a right inverse of X . Then, σ_X does not depend on the choice of Y and the map

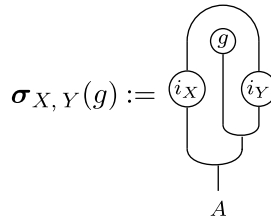
$$\sigma^{S,R} := \sigma : \text{Inv}_{R,S}^r(A) \longrightarrow \text{Hom}_{\mathcal{Z}(\mathbb{I})\text{-alg}}(\mathcal{Z}_S(A), \mathcal{Z}_R(A)), \{X \mapsto \sigma_X\}$$

is well defined.

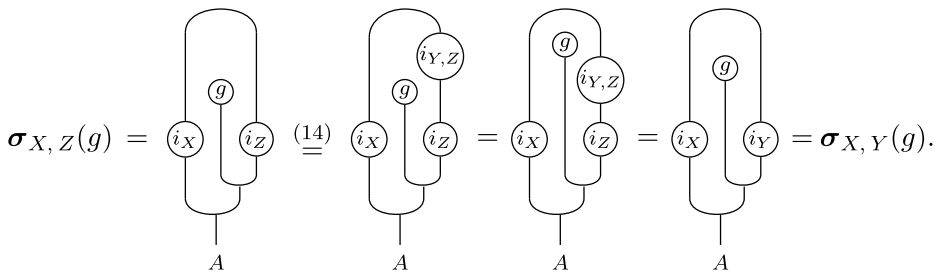
Proof. First note that the right inverse Y of X is unique up to isomorphism as shown in Lemma 1.5. Let us check that $\sigma_X(g)$ does not depend on this isomorphism. Thus, given another right inverse Z of X , we want to check that the formula (18) is the same for both Y and Z . That is, we need to check the following equality

$$\begin{aligned} \sigma_{X,Y}(g) &:= m_A^S \circ (i_X \otimes_S (g \triangleright_S i_Y)) \circ (m_X)^{-1} \\ &= m_A^S \circ (i_X \otimes_S (g \triangleright_S i_Z)) \circ (m_X)^{-1} := \sigma_{X,Z}(g). \end{aligned}$$

The map $\sigma_{X,Y}(g)$ can be represented by the following diagram:

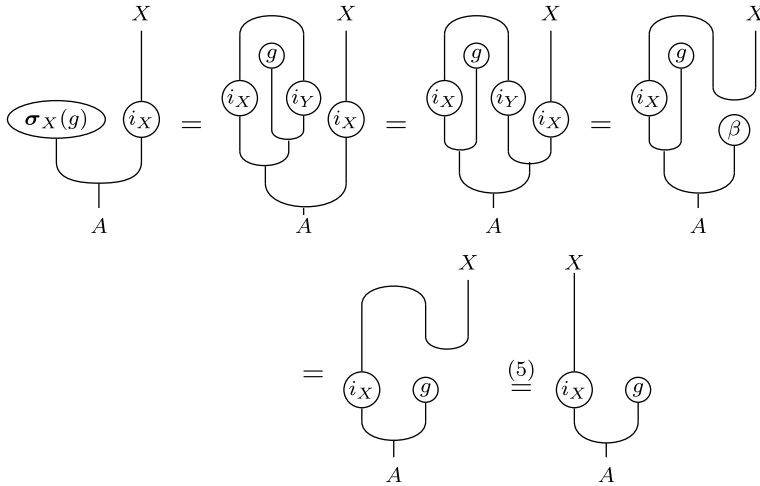


Using the isomorphisms stated in Corollary 1.5, we then have



By a similar argument, one proves that the definition of this map does not depend on the representative of the equivalence class (X, i_X) . In other words if $X = X'$ (i.e., there is an isomorphism $f : X' \rightarrow X$ such that $i_X \circ f = i_{X'}$), then $\sigma_X(g) = \sigma_{X'}(g)$. On the other hand, the morphism $\sigma_X(g)$ is a morphism in ${}_R\mathcal{M}_R$ being the composition of morphisms in ${}_R\mathcal{M}_R$. Therefore, $\sigma_X(g)$ is an element in $\mathcal{Z}_R(A)$.

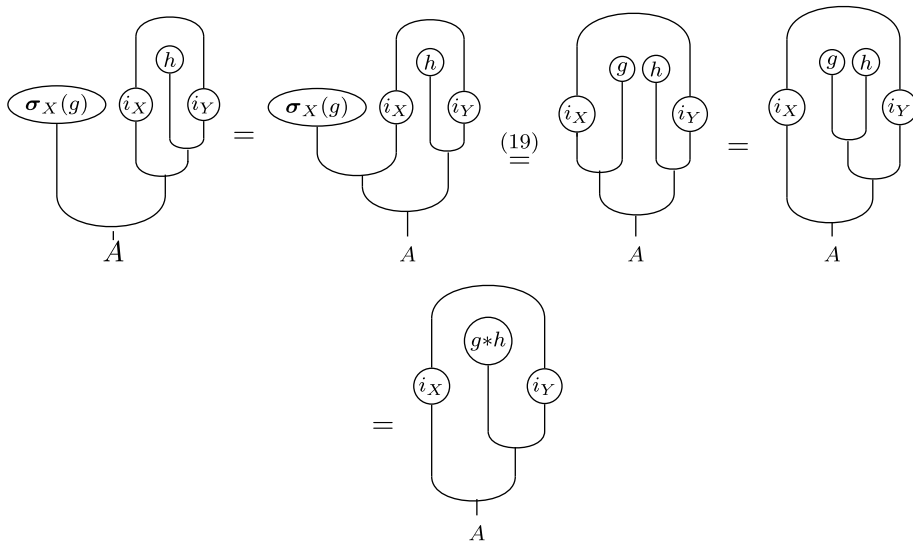
We have to check that σ_X is a $\mathcal{Z}(\mathbb{I})$ -algebra map. To this aim, given $g, h \in \mathcal{Z}_S(A)$, we first show that $\sigma_X(g) * \sigma_X(h) = \sigma_X(g * h)$. Using the diagrammatic notation, we have



so that we get

$$(19) \quad \sigma_X(g) \triangleright_R i_X = i_X \triangleleft_S g.$$

Using this equality, we obtain



which means that $\sigma_X(g) * \sigma_X(h) = \sigma_X(g * h)$. Moreover, we have

$$\begin{aligned} \sigma_X(1_{\mathcal{Z}_S(A)}) &= \sigma_X(\beta) = m_A^S \circ (i_X \otimes_S (\beta \triangleright_S i_Y)) \circ \text{coev} \\ &= m_A^S \circ (i_X \otimes_S i_Y) \circ \text{coev} \stackrel{(8)}{=} \alpha = 1_{\mathcal{Z}_R(A)}. \end{aligned}$$

We still need to check that $\sigma_X \circ \tilde{\beta} = \tilde{\alpha}$. To this aim, given $t \in \mathcal{Z}(\mathbb{I})$, we have

$$\sigma_X \circ \tilde{\beta}(t) = \begin{array}{c} \text{Diagram 1: } \sigma_X \circ \tilde{\beta}(t) \text{ as a cup with } i_X, i_Y \text{ and } \tilde{\beta}(t) \text{ inside.} \\ \text{Diagram 2: } \text{Cup with } i_X, i_Y \text{ and } \beta \text{ inside, } t \text{ below.} \\ \text{Diagram 3: } \text{Cup with } i_X, i_Y \text{ and } t \text{ inside.} \\ \text{Diagram 4: } \text{Cup with } i_X, i_Y \text{ and } t \text{ to the right.} \\ \text{Diagram 5: } \text{Cup with } \otimes \text{ inside, } t \text{ below.} \\ \text{Diagram 6: } \text{Cup with } t \text{ inside.} \end{array} \stackrel{(11)}{=} \tilde{\alpha}(t), \tag{20}$$

and this completes the proof. □

The map defined in the following proposition is an extension, to the general framework of monoidal categories, of the so-called *Miyashita action* which was originally introduced by Miyashita in [23, page 100]. Further developments on this action appeared in various studies: Hopf–Galois extensions, H -separable extensions, comodules over corings with grouplike elements and so forth; see [8, 15–17, 21, 29]. Our general definition aims to provide a common and unifying context for all these studies.

PROPOSITION 2.3. *The map*

$$\sigma : \text{Inv}_{R,S}^r(A) \rightarrow \text{Hom}_{\mathcal{Z}(\mathbb{I})\text{-alg}}(\mathcal{Z}_S(A), \mathcal{Z}_R(A))$$

of Proposition 2.2 induces a map

$$\Phi^{S,R} : \text{Inv}_{R,S}(A) \rightarrow \text{Iso}_{\mathcal{Z}(\mathbb{I})\text{-alg}}(\mathcal{Z}_S(A), \mathcal{Z}_R(A)).$$

In particular, when $R = S$ we have a morphism of groups $\Phi^R := \Phi^{R,R}$. Moreover, Φ^R factors as the composition

$$(21) \quad \text{Inv}_R(A) \longrightarrow \text{Aut}_{\mathcal{Z}_R(R)\text{-alg}}(\mathcal{Z}_R(A)) \hookrightarrow \text{Aut}_{\mathcal{Z}(\mathbb{I})\text{-alg}}(\mathcal{Z}_R(A)).$$

Proof. Consider both

$$\begin{aligned} \sigma^{S,R} &: \text{Inv}_{R,S}^r(A) \rightarrow \text{Hom}_{\mathcal{Z}(\mathbb{I})\text{-alg}}(\mathcal{Z}_S(A), \mathcal{Z}_R(A)) \\ \sigma^{R,S} &: \text{Inv}_{S,R}^r(A) \rightarrow \text{Hom}_{\mathcal{Z}(\mathbb{I})\text{-alg}}(\mathcal{Z}_R(A), \mathcal{Z}_S(A)). \end{aligned}$$

Take $X \in \text{Inv}_{R,S}(A)$ as in (15). Since m_{X^r} is an isomorphism, we have that $X^r \in \text{Inv}_{S,R}^r(A)$. Hence we can consider both $\sigma_X^{S,R}$ and $\sigma_{X^r}^{R,S}$. Let us check that these maps are mutual inverses. For $g \in \mathcal{Z}_S(A)$, we have $(\sigma_{X^r}^{R,S} \circ \sigma_X^{S,R})(g)$ is equal to

(22)

Thus $\sigma_{X^r}^{R,S} \circ \sigma_X^{S,R} = \text{Id}_{\mathcal{Z}_S(A)}$. Similarly one gets $\sigma_X^{S,R} \circ \sigma_{X^r}^{R,S} = \text{Id}_{\mathcal{Z}_R(A)}$. Therefore, $\sigma_X^{S,R}$ is an isomorphism. This proves that $\Phi^{S,R}$ is well defined.

Now assume that $R = S$. By Corollary 1.13, we know that $(\text{Inv}_R(A), \otimes_R, R)$ is a group. Let us check that Φ^R is a group morphism. Take $X, X' \in \text{Inv}_R(A)$ with two-sided inverses Y and Y' , respectively. We have

$$\sigma_X(\sigma_{X'}(g)) = \sigma_{X \otimes_R X'}(g)$$

where g is as above. The second equality in diagram (22) implies that $\sigma_X(\sigma_{X'}(g)) = \sigma_{X \otimes_R X'}(g)$. In other words $\Phi^R(X \otimes_R X') = \Phi^R(X) \circ \Phi^R(X')$. Moreover,

$$\begin{aligned} \Phi^R(R)(g) &= \sigma_R(g) \stackrel{(18)}{=} m_A^R \circ (\alpha \otimes_R (g \triangleright_R \alpha)) \circ (r_R^R)^{-1} \\ &\stackrel{(*)}{=} m_A^R \circ (\alpha \otimes_R g) \circ (r_R^R)^{-1} = \alpha \triangleright_R g = g \end{aligned}$$

so that $\Phi^R(R) = \text{Id}_{\mathcal{Z}_R(A)}$, where in $(*)$ we applied the definition of \triangleright_R .

Let us check that Φ^R factors as stated. Take $p \in \mathcal{Z}_R(R)$ and set $g := \mathcal{Z}_R(\alpha)(p) = \alpha \circ p$. Since we already know that σ_X is multiplicative, in order to conclude that σ_X is $\mathcal{Z}_R(R)$ -bilinear, it suffices to check that $\sigma_X(g) = g$. As p is an endomorphism of the unit R of the monoidal category ${}_R\mathcal{M}_R$, we have $R \otimes_R p = p \otimes_R R$. Hence, by using the same arguments of diagram (20), we get the desired equality. \square

REMARK 2.4. Submonoids of A are 0-cells in a bicategory $\text{Inv}^r(A)$, where for any two 0-cells R and S the associated hom-category from R to S is given by $\text{Inv}_{R,S}^r(A)$ with horizontal and vertical multiplications given by the functors of Proposition 1.12. Similarly, one defines the bicategories $\text{Inv}^l(A)$ and $\text{Inv}(A)$. Now, if we restrict to submonoids R of A for which the functor $- \otimes_R A$ reflects isomorphisms and denote this new bicategory by $\text{Inv}^r(A)$, then any morphism in the hom-category $\text{Inv}_{R,S}^r(A)$ is an isomorphism. Indeed, given a morphism $h : X \rightarrow X'$ in $\text{Inv}_{R,S}^r(A)$, then $f_{X'} \circ (h \otimes_R A) = f_X$, where f_- is as in equation (1). Therefore, by Corollary 1.7, we have $h \otimes_R A$ is an isomorphism and hence h is an isomorphism as well.

In this way, the bicategory $\text{Invf}(A)$, corresponding to $\text{Inv}(A)$, can be regarded as a 2-groupoid, that is, a bicategory where 1-cells and 2-cells are invertible (i.e., each 1-cell is a member of an internal equivalence and any 2-cell is an isomorphism). However, $\text{Inv}(A)$ viewed as a small category with hom-sets $\text{Inv}_{R,S}(A)$ and composition given by the tensor products \otimes_R , is clearly a groupoid.

On the other hand, there is another 2-category with 0-cells given by $\mathcal{Z}(\mathbb{I})$ -subalgebras of $\mathcal{Z}(A)$, and hom-category from E and E' given by the set $\text{Hom}_{\mathcal{Z}(\mathbb{I})\text{-alg}}(E, E')$ (objects are edges and arrows are squares). Clearly, one assigns to any 1-cell R in $\text{Inv}^r(A)$ a 1-cell $\mathcal{Z}_R(A)$ in this 2-category, by using the map φ_R of (17). However, it is not clear to us whether the

family of maps $\{\sigma^{S,R}\}_{S,R}$ defined in Proposition 2.2 together with this assignment, give rise to a family of functors and thus to a morphism of bicategories. Nevertheless, using the maps $\{\Phi^{S,R}\}_{S,R}$ given in Proposition 2.3, one shows, as in the classical case [23, Theorem 1.3], that Φ establishes a homomorphism of groupoids.

2.2 Invariant subobjects

Let (A, m, u) be a monoid in \mathcal{M} and consider $\sigma, \delta : \mathcal{Z}(A) \rightarrow \mathcal{Z}(A)$ two $\mathcal{Z}(\mathbb{I})$ -linear maps. For each element $t \in \mathcal{Z}(A)$, define the following equalizer:

$$0 \longrightarrow \text{Eq}(\sigma(t) \triangleright A, A \triangleleft \delta(t)) \xrightarrow{\text{eq}_{\sigma(t), \delta(t)}} A \begin{array}{c} \xrightarrow{\sigma(t) \triangleright A} \\ \xrightarrow{A \triangleleft \delta(t)} \end{array} \rightrightarrows A$$

Now, since \mathcal{M} is an abelian and bicomplete category, we can take the intersection of all those equalizes:

$$(23) \quad \sigma J_\delta := \left(\bigcap_{t \in \mathcal{Z}(A)} \text{Eq}(\sigma(t) \triangleright A, A \triangleleft \delta(t)) \right) \hookrightarrow \text{Eq}(\sigma(t) \triangleright A, A \triangleleft \delta(t)),$$

for every $t \in \mathcal{Z}(A)$

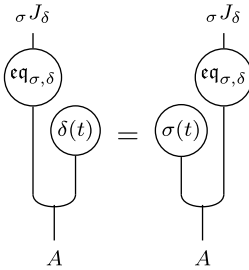
with structure monomorphism denoted by

$$(24) \quad 0 \longrightarrow \sigma J_\delta \xrightarrow{\text{eq}_{\sigma, \delta}} A.$$

We view σJ_δ as an element in $\mathcal{P}(\mathbb{I}A\mathbb{I})$ with monomorphism $i_{\sigma J_\delta} = \text{eq}_{\sigma, \delta}$ as in Section 1. The pair $(\sigma J_\delta, \text{eq}_{\sigma, \delta})$ is in fact an universal object with respect to the following equations:

$$(25) \quad (A \triangleleft \delta(t)) \circ \text{eq}_{\sigma, \delta} = (\sigma(t) \triangleright A) \circ \text{eq}_{\sigma, \delta}, \text{ for every } t \in \mathcal{Z}(A).$$

In other words any other morphism which satisfies these equations (parameterized by elements in $\mathcal{Z}(A)$) factors uniquely throughout the monomorphism $\text{eq}_{\sigma, \delta}$. For every $t \in \mathcal{Z}(A)$, equation (25) will be used in the following form

(26) 

For simplicity we write ${}_1J_1$, σJ_1 and ${}_1J_\delta$ when one or both the involved $\mathcal{Z}(\mathbb{I})$ -linear maps are identity.

PROPOSITION 2.5. *Let (A, m, u) be a monoid in \mathcal{M} and let σ, δ, γ and λ be in $\text{End}_{\mathcal{Z}(\mathbb{I})}(\mathcal{Z}(A))$. Consider the family of subobjects $({}_xJ_y, \mathbf{eq}_{x,y})$ of A , for $x, y \in \{\sigma, \delta, \gamma, \lambda\}$. Then*

(i) *There is a morphism*

$$m_{\sigma,\gamma}^\delta : \sigma J_\delta \otimes \delta J_\gamma \longrightarrow \sigma J_\gamma$$

such that

(27)
$$\mathbf{eq}_{\sigma,\gamma} \circ m_{\sigma,\gamma}^\delta = m \circ (\mathbf{eq}_{\sigma,\delta} \otimes \mathbf{eq}_{\delta,\gamma}).$$

(ii) *We have*

(28)
$$m_{\sigma,\lambda}^\gamma \circ (m_{\sigma,\gamma}^\delta \otimes \gamma J_\lambda) = m_{\sigma,\lambda}^\delta \circ (\sigma J_\delta \otimes m_{\delta,\lambda}^\gamma).$$

(iii) *There exists a unique morphism $u_\sigma : \mathbb{I} \rightarrow \sigma J_\sigma$ such that $\mathbf{eq}_{\sigma,\sigma} \circ u_\sigma = u$. Furthermore $(\sigma J_\sigma, m_\sigma, u_\sigma)$ is a monoid, for every $\mathcal{Z}(\mathbb{I})$ -linear map σ , where we set $m_\sigma := m_{\sigma,\sigma}^\sigma$.*

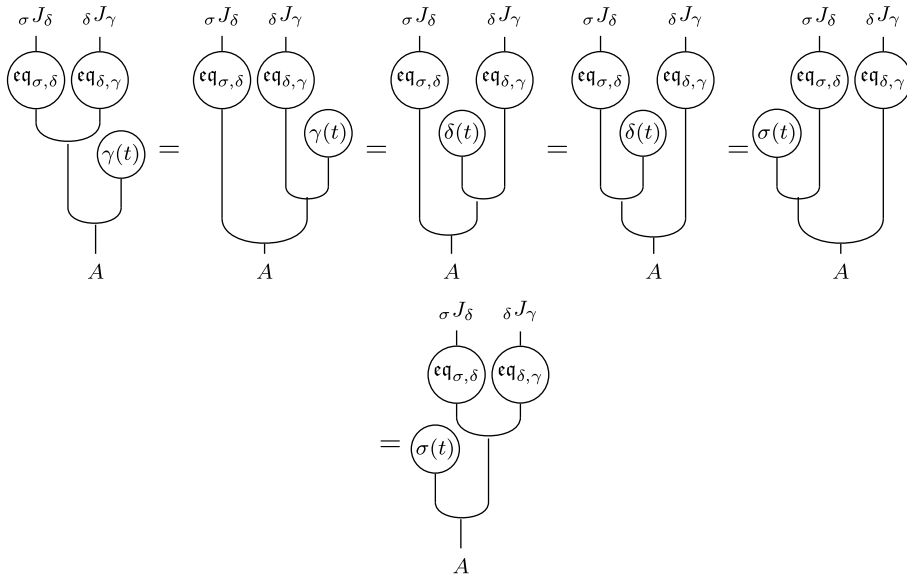
(iv) *The morphisms $m_{\sigma,\delta}^\sigma$ and $m_{\sigma,\delta}^\delta$ turn σJ_δ into a $(\sigma J_\sigma, \delta J_\delta)$ -bimodule.*

(v) *There is a unique morphism*

(29)
$$\overline{m}_{\sigma,\gamma}^\delta : (\sigma J_\delta) \otimes_{\delta J_\delta} (\delta J_\gamma) \longrightarrow \sigma J_\gamma$$
 such that $\overline{m}_{\sigma,\gamma}^\delta \circ \chi_{\sigma,\gamma}^\delta = m_{\sigma,\gamma}^\delta$

where $\chi_{\sigma,\gamma}^\delta : \sigma J_\delta \otimes \delta J_\gamma \rightarrow (\sigma J_\delta) \otimes_{\delta J_\delta} (\delta J_\gamma)$ denotes the canonical morphism defining the tensor product over the monoid δJ_δ .

Proof. (i) Fixing an element $t \in \mathcal{Z}(A)$, we have



which shows that

$$(\sigma(t) \triangleright A) \circ m \circ (\text{eq}_{\sigma,\delta} \otimes \text{eq}_{\delta,\gamma}) = (A \triangleleft \gamma(t)) \circ m \circ (\text{eq}_{\sigma,\delta} \otimes \text{eq}_{\delta,\gamma}).$$

Hence, by the universal property, the desired morphism is the one which turns commutative the diagrams

$$\begin{array}{ccc}
 \sigma J_\delta \otimes \delta J_\gamma & \xrightarrow{\text{eq}_{\sigma,\delta} \otimes \text{eq}_{\delta,\gamma}} & A \otimes A \\
 \downarrow m_{\sigma,\gamma}^\delta & & \downarrow m \\
 \sigma J_\gamma & \xrightarrow{\text{eq}_{\sigma,\gamma}} & A \xrightarrow[\text{A} \triangleleft \gamma(t)]{\sigma(t) \triangleright A} A
 \end{array}$$

(30)

for every $t \in \mathcal{Z}(A)$.

(ii) The equation follows from the fact that $\text{eq}_{\sigma,\lambda}$ is a monomorphism and the computation:

$$\begin{aligned}
 \text{eq}_{\sigma,\lambda} \circ m_{\sigma,\lambda}^\delta \circ (\sigma J_\delta \otimes m_{\delta,\lambda}^\gamma) &\stackrel{(27)}{=} m \circ (\text{eq}_{\sigma,\delta} \otimes \text{eq}_{\delta,\lambda}) \circ (\sigma J_\delta \otimes m_{\delta,\lambda}^\gamma) \\
 &\stackrel{(27)}{=} m \circ (A \otimes m) \circ (\text{eq}_{\sigma,\delta} \otimes \text{eq}_{\delta,\gamma} \otimes \text{eq}_{\gamma,\lambda})
 \end{aligned}$$

$$\begin{aligned}
 &= m \circ (m \otimes A) \circ (\mathbf{eq}_{\sigma,\delta} \otimes \mathbf{eq}_{\delta,\gamma} \otimes \mathbf{eq}_{\gamma,\lambda}) \\
 &\stackrel{(27)}{=} m \circ (\mathbf{eq}_{\sigma,\gamma} \otimes \mathbf{eq}_{\gamma,\lambda}) \circ (m_{\sigma,\gamma}^\delta \otimes \gamma J_\lambda) \\
 &\stackrel{(27)}{=} \mathbf{eq}_{\sigma,\lambda} \circ m_{\sigma,\lambda}^\gamma \circ (m_{\sigma,\gamma}^\delta \otimes \gamma J_\lambda).
 \end{aligned}$$

(iii) The associativity follows by (28). Denote $m_{\sigma,\sigma}^\sigma := m_\sigma$ and ${}_\sigma J_\sigma := J$. Now, we show that there is a morphism u_σ such that the following diagrams commute

$$\begin{array}{ccc}
 & & \mathbb{I} \\
 & \swarrow u_\sigma & \downarrow u \\
 {}_\sigma J_\sigma & \xrightarrow{\mathbf{eq}_{\sigma,\sigma}} & A \xrightarrow[\begin{smallmatrix} \sigma(t) \triangleright A \\ A \triangleleft \sigma(t) \end{smallmatrix}]{\cong} A
 \end{array}
 \tag{31}$$

We compute

$$\begin{aligned}
 m \circ (A \otimes \sigma(t)) \circ u &= m \circ (u \otimes A) \circ (\mathbb{I} \otimes \sigma(t)) = l_A \circ (\mathbb{I} \otimes \sigma(t)) \\
 &= \sigma(t) \circ l_{\mathbb{I}} = \sigma(t) \circ r_{\mathbb{I}} \\
 &= r_A \circ (\sigma(t) \otimes \mathbb{I}) = m \circ (A \otimes u) \circ (\sigma(t) \otimes \mathbb{I}) \\
 &= m \circ (\sigma(t) \otimes A) \circ u.
 \end{aligned}$$

We now prove that the multiplication of J is unitary:

$$\begin{aligned}
 \mathbf{eq}_{\sigma,\sigma} \circ m_\sigma \circ (J \otimes u_\sigma) &\stackrel{(27)}{=} m \circ (\mathbf{eq}_{\sigma,\sigma} \otimes \mathbf{eq}_{\sigma,\sigma}) \circ (J \otimes u_\sigma) \\
 &= m \circ (A \otimes u) \circ (\mathbf{eq}_{\sigma,\sigma} \otimes \mathbb{I}) \\
 &= r_A \circ (\mathbf{eq}_{\sigma,\sigma} \otimes \mathbb{I}) = \mathbf{eq}_{\sigma,\sigma} \circ r_J.
 \end{aligned}$$

Since $\mathbf{eq}_{\sigma,\sigma}$ is a monomorphism we obtain $m_\sigma \circ (J \otimes u_\sigma) = r_J$. In a similar manner one gets $m_\sigma \circ (u_\sigma \otimes J) = l_J$. We have so proved that (J, m_σ, u_σ) is a monoid.

(iv) It follows by (28).

(v) From (28) one gets that $m_{\sigma,\gamma}^\delta$ is balanced over ${}_\delta J_\delta$. □

§3. The bijectivity of Miyashita action

The aim of this section is to seek for conditions under which the Miyashita action, that is the map of Proposition 2.3, or some of its factors are bijective. We work, as before, over a Penrose monoidal abelian, locally small and bicomplete category $(\mathcal{M}, \otimes, \mathbb{I}, l, r)$, where the tensor product is right exact on both factors.

3.1 The case when Φ is a monomorphism of groups

Take $R = S = \mathbb{I}$ in Proposition 2.3 and consider an invertible subobject $X \in \text{Inv}_{\mathbb{I}}(A)$ with two-sided inverse Y . The image of any $t \in \mathcal{Z}(A)$ through the map Φ_X of equation (21) is given by

$$(32) \quad \Phi_X(t) = m \circ (i_X \otimes (t \triangleright i_Y)) \circ \text{coev},$$

where, $\text{coev} = m_X^{-1}$ is as in Proposition 1.3.

LEMMA 3.1. *Let (A, m, u) be a monoid in \mathcal{M} and let $X \in \text{Inv}_{\mathbb{I}}(A)$ with inverse Y . Consider the associated automorphism $\Phi_X \in \text{Aut}_{\mathcal{Z}(\mathbb{I})\text{-alg}}(\mathcal{Z}(A))$ defined as in Proposition 2.3 with $R = S = \mathbb{I}$. Then we have monomorphisms*

$$X \xrightarrow{\iota_X} {}_{\Phi_X}J_1, \quad Y \xrightarrow{\iota_Y} {}_1J_{\Phi_X}$$

satisfying $\text{eq}_{\Phi_X, 1} \circ \iota_X = i_X$, and $\text{eq}_{1, \Phi_X} \circ \iota_Y = i_Y$.

Proof. By applying equation (19) to our situation we obtain

$$(33) \quad \Phi_X(t) \triangleright i_X = i_X \triangleleft t, \quad \text{for every } t \in \mathcal{Z}(A).$$

Equivalently $(\Phi_X(t) \triangleright A) \circ i_X = (A \triangleleft t) \circ i_X$ for every $t \in \mathcal{Z}(A)$, which by the universal property of ${}_{\Phi_X}J_1$ gives the desired monomorphism. Replacing X by Y one gets the other monomorphism. \square

Notice that for any $\mathcal{Z}(\mathbb{I})$ -algebra automorphism θ of $\mathcal{Z}(A)$, we have that for each $s \in \mathcal{Z}(A)$, there exists a unique $t \in \mathcal{Z}(A)$ such that $\theta(t) = s$. Hence

$$(34) \quad {}_{\theta}J_{\theta} = \bigcap_{t \in \mathcal{Z}(A)} \text{Eq}(\theta(t) \triangleright A, A \triangleleft \theta(t)) = \bigcap_{s \in \mathcal{Z}(A)} \text{Eq}(s \triangleright A, A \triangleleft s) = {}_1J_1.$$

This observation is implicitly used in the foregoing.

PROPOSITION 3.2. *Let (A, m, u) be a monoid in \mathcal{M} and assume that u is a monomorphism. Let $X \in \text{Inv}_{\mathbb{I}}(A)$ be an invertible subobject with associated automorphism Φ_X as in (32). Then ${}_{\Phi_X}J_1$ is a two-sided invertible ${}_1J_1$ -sub-bimodule of A , that is an element of $\text{Inv}_{{}_1J_1}(A)$ with inverse ${}_1J_{\Phi_X}$.*

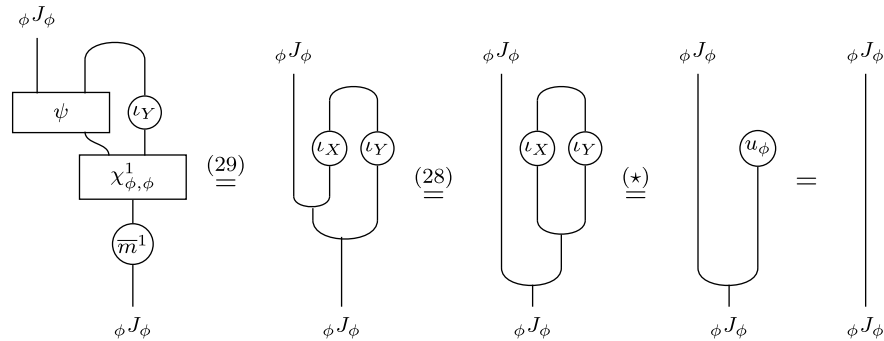
Proof. Along this proof we abbreviate Φ_X to ϕ . The morphisms $m_{\phi J_1} = \overline{m}_{\phi, \phi}^1$ and $m_{1 J_\phi} = \overline{m}_{1, 1}^\phi$ defined in Proposition 1.3 for the pair $(\phi J_1, 1 J_\phi)$, are given by Proposition 2.5(v), where the compatibility constraints are shown using equations (28) and (29). Consider the morphism

$$\psi := \phi J_\phi \otimes X \xrightarrow{\phi J_\phi \otimes \iota_X} \phi J_\phi \otimes \phi J_1 \xrightarrow{m_{\phi, 1}^\phi} \phi J_1$$

where ι_X was defined in Lemma 3.1. Now let us check that $m_{\phi J_1}$ is invertible with inverse ν defined as the following composition of morphisms:

$$\phi J_\phi \xrightarrow[\cong]{\phi J_\phi \otimes m_X^{-1}} \phi J_\phi \otimes X \otimes Y \xrightarrow{\psi \otimes Y} \phi J_1 \otimes Y \xrightarrow{\phi J_1 \otimes \iota_Y} \phi J_1 \otimes 1 J_\phi \xrightarrow{\chi_{\phi, \phi}^1} \phi J_1 \otimes 1 J_1 1 J_\phi.$$

We have



where the last equality is given by Proposition 2.5(iii), while equality (\star) is proved as follows:

$$\begin{aligned} \mathbf{eq}_{\phi, \phi} \circ m_{\phi, \phi}^1 \circ (\iota_X \otimes \iota_Y) &\stackrel{(27)}{=} m \circ (\mathbf{eq}_{\phi, 1} \otimes \mathbf{eq}_{1, \phi}) \circ (\iota_X \otimes \iota_Y) = m \circ (i_X \otimes i_Y) \\ &\stackrel{(1)}{=} u \circ m_X = \mathbf{eq}_{\phi, \phi} \circ u_\phi \circ \mathbf{coev}^{-1}. \end{aligned}$$

This proves that $\overline{m}_{\phi, \phi}^1 \circ \nu$ is the identity. A similar computation, which uses composition with the epimorphism $\chi_{\phi, \phi}^1$, shows that $\nu \circ \overline{m}_{\phi, \phi}^1$ is the identity too so that $\overline{m}_{\phi, \phi}^1$ is invertible. Replacing ϕ by ϕ^{-1} will show that $m_{\phi^{-1} J_1}$ is an isomorphism which means that $m_{1 J_\phi}$ is an isomorphism, since $\phi^{-1} J_1 = 1 J_\phi$. \square

LEMMA 3.3. *Let (A, m, u) be a monoid in \mathcal{M} . Assume that the unit $u_1 : \mathbb{1} \rightarrow 1 J_1$ is an isomorphism and consider a two-sided invertible object*

$X \in \text{Inv}_{\mathbb{I}}(A)$ with inverse Y and associated automorphism Φ_X as in (32). Then, we have $X = {}_{\Phi_X}J_1$ and $Y = {}_1J_{\Phi_X}$.

Proof. Under the assumption made on u_1 , the unit u is a monomorphism by Proposition 2.5(iii). Hence, by Proposition 3.2, we know that ${}_{\Phi_X}J_1$ is invertible with inverse ${}_1J_{\Phi_X}$. Therefore, we have that ${}_{\Phi_X}J_1 \otimes {}_1J_{\Phi_X} \cong \mathbb{I}$ and ${}_1J_{\Phi_X} \otimes {}_{\Phi_X}J_1 \cong \mathbb{I}$. Now, by Lemma 3.1, we know that X is injected in ${}_{\Phi_X}J_1$ while Y is injected in ${}_1J_{\Phi_X}$. Summing up, we have shown that the elements X and ${}_{\Phi_X}J_1$ satisfy the assumptions of Proposition 1.14(2) so that we obtain the equalities $X = {}_{\Phi_X}J_1$ and $Y = {}_1J_{\Phi_X}$. \square

Given a monoid (A, m, u) in \mathcal{M} , we define the set $\mathcal{G}_{\mathcal{Z}(\mathbb{I})}(\mathcal{Z}(A))$ as follows:

$$(35) \quad \mathcal{G}_{\mathcal{Z}(\mathbb{I})}(\mathcal{Z}(A)) := \left\{ \theta \in \text{Aut}_{\mathcal{Z}(\mathbb{I})\text{-alg}}(\mathcal{Z}(A)) \mid \theta J_1 \text{ is two-sided invertible subobject} \right\}.$$

Here by θJ_1 invertible we mean that the morphisms $\overline{m}_{\theta, \theta}^1$ and $\overline{m}_{1, 1}^\theta$ given in equation (29) are isomorphisms, which, in view of equation (34), shows that $\theta J_1 \in \text{Inv}_{1, J_1}(A)$. In this case, the two-sided inverse of θJ_1 is ${}_1J_\theta = {}_{\theta^{-1}}J_1$. As we will see below the set $\mathcal{G}_{\mathcal{Z}(\mathbb{I})}(\mathcal{Z}(A))$ is in fact a subgroup of the automorphisms group $\text{Aut}_{\mathcal{Z}(\mathbb{I})\text{-alg}}(\mathcal{Z}(A))$.

The following is one of our main results.

THEOREM 3.4. *Let $(\mathcal{M}, \otimes, \mathbb{I})$ be a Penrose monoidal abelian, locally small and bicomplete category with right exact tensor products functors. Let (A, m, u) be a monoid such that the morphism $u_1 : \mathbb{I} \rightarrow {}_1J_1$ is an isomorphism. Then the map Φ of Proposition 2.3 induces an isomorphism of groups $\widehat{\Phi} : \text{Inv}_{\mathbb{I}}(A) \rightarrow \mathcal{G}_{\mathcal{Z}(\mathbb{I})}(\mathcal{Z}(A))$ which makes the following triangle commutative*

$$\begin{array}{ccc} \text{Inv}_{\mathbb{I}}(A) & \xrightarrow{\Phi} & \text{Aut}_{\mathcal{Z}(\mathbb{I})\text{-alg}}(\mathcal{Z}(A)) \\ & \searrow \widehat{\Phi} & \uparrow \varsigma \\ & \cong & \mathcal{G}_{\mathcal{Z}(\mathbb{I})}(\mathcal{Z}(A)), \end{array}$$

where ς denotes the canonical injection. Moreover, $\widehat{\Phi}^{-1}(\theta) = {}_{\theta}J_1$, for every $\theta \in \mathcal{G}_{\mathcal{Z}(\mathbb{I})}(\mathcal{Z}(A))$.

Proof. In view of Proposition 3.2, it is clear that Φ corestricts to a map $\widehat{\Phi}$ such that $\varsigma \circ \widehat{\Phi} = \Phi$ and, by Lemma 3.3, we have that $\widehat{\Phi}$ is injective. Let us check that it is also surjective that is that $\Phi_{\theta J_1} = \theta$, for every $\theta \in \mathcal{G}_{\mathcal{Z}(\mathbb{I})}(\mathcal{Z}(A))$. Recall that, for a given $t \in \mathcal{Z}(A)$, we have

$$\Phi_{\theta J_1}(t) = m \circ (A \otimes m) \circ (\mathbf{e}q_{\theta,1} \otimes A \otimes \mathbf{e}q_{1,\theta}) \circ (\theta J_1 \otimes t \otimes 1 J_{\theta}) \circ (m_{\theta,\theta}^1)^{-1} \circ u_{\theta}.$$

The desired equality can be checked by diagrams as follows

(36)

We have so proved that the map $\widehat{\Phi} : \text{Inv}_{\mathbb{I}}(A) \rightarrow \mathcal{G}_{\mathcal{Z}(\mathbb{I})}(\mathcal{Z}(A))$ is bijective. As a consequence, since Φ is a group morphism, we have for free that $\mathcal{G}_{\mathcal{Z}(\mathbb{I})}(\mathcal{Z}(A))$ is a subgroup of the automorphisms group $\text{Aut}_{\mathcal{Z}(\mathbb{I})\text{-alg}}(\mathcal{Z}(A))$ and that both $\widehat{\Phi}$ and ς are group morphisms. \square

3.2 The case when Φ is an isomorphism of groups

Let M and N be two A -bimodules. Consider the action $\mathcal{Z}(A) \times \text{Hom}_{\mathcal{M}}(M, N) \rightarrow \text{Hom}_{\mathcal{M}}(M, N) : (z, f) \mapsto z \triangleright f$, defined by (16) for $S = \mathbb{I}$, and its right-hand version $f \triangleleft z$. These actions turns in fact the $\mathcal{Z}(\mathbb{I})$ -module $\text{Hom}_{\mathcal{M}}(M, N)$ into a $\mathcal{Z}(A)$ -bimodule. Note that for $f \in \text{Hom}_{\mathcal{M}}(A, A)$ one easily checks that

$$(37) \quad f \in \text{Hom}_{A\text{-}}(A, A) \quad \text{if and only if} \quad f = A \triangleleft (fu).$$

Here the notation fu stands for the composition. Given $\sigma, \tau : \mathcal{Z}(A) \rightarrow \mathcal{Z}(A)$ two $\mathcal{Z}(I)$ -linear maps, we set

$$\begin{aligned} &\mathcal{M}_{A, \mathcal{Z}(A)}(M_{\sigma}, N_{\tau}) \\ &:= \left\{ f \in \text{Hom}_{A\text{-}}(M, N) \mid f \circ (M \triangleleft \sigma(z)) = f \triangleleft \tau(z), \forall z \in \mathcal{Z}(A) \right\}. \end{aligned}$$

For every $f \in \mathcal{M}_{A, \mathcal{Z}(A)}(A_{\sigma}, A_{\tau}), z \in \mathcal{Z}(A)$, we have

$$\begin{aligned} (38) \quad z \triangleright f &\stackrel{(37)}{=} z \triangleright (A \triangleleft (fu)) = (z \triangleright A) \triangleleft (fu) \\ &= (A \triangleleft (fu)) \circ (z \triangleright A) \stackrel{(37)}{=} f \circ (z \triangleright A). \end{aligned}$$

Let ρ be another $\mathcal{Z}(\mathbb{I})$ -linear endomorphism of $\mathcal{Z}(A)$. We then compute

$$\begin{aligned} (\rho(t) \triangleright A) \circ f \circ \mathbf{eq}_{\rho,\sigma} &= (\rho(t) \triangleright f) \circ \mathbf{eq}_{\rho,\sigma} \stackrel{(38)}{=} f \circ (\rho(t) \triangleright A) \circ \mathbf{eq}_{\rho,\sigma} \\ &\stackrel{(23)}{=} f \circ (A \triangleleft \sigma(t)) \circ \mathbf{eq}_{\rho,\sigma} \\ &= (f \triangleleft \tau(t)) \circ \mathbf{eq}_{\rho,\sigma} = (A \triangleleft \tau(t)) \circ f \circ \mathbf{eq}_{\rho,\sigma}, \end{aligned}$$

for any $f \in \mathcal{M}_{A,\mathcal{Z}(A)}(A_\sigma, A_\tau)$ and $t \in \mathcal{Z}(A)$. Using the universal property of $\mathbf{eq}_{\rho,\tau}$, we so get a unique morphism $\rho f : \rho J_\sigma \rightarrow \rho J_\tau$ such that $\mathbf{eq}_{\rho,\tau} \circ \rho f = f \circ \mathbf{eq}_{\rho,\sigma}$ which in diagrammatic form is expressed by

$$(39) \quad \begin{array}{ccc} \begin{array}{c} \rho J_\sigma \\ \circlearrowleft \mathbf{eq}_{\rho,\sigma} \\ \downarrow \\ \circlearrowleft f \\ \downarrow \\ A \end{array} & = & \begin{array}{c} \rho J_\sigma \\ \circlearrowleft \rho f \\ \downarrow \\ \circlearrowleft \mathbf{eq}_{\rho,\tau} \\ \downarrow \\ A \end{array} \end{array}$$

In this way we have defined a map

$$(40) \quad \mathcal{M}_{A,\mathcal{Z}(A)}(A_\sigma, A_\tau) \longrightarrow \text{Hom}_{\mathcal{M}}(\rho J_\sigma, \rho J_\tau) : f \longmapsto \rho f.$$

DEFINITION 3.5. Let M and N be two A -bimodules.

- (1) For $\sigma, \tau : \mathcal{Z}(A) \rightarrow \mathcal{Z}(A)$, we will write $M_\sigma | N_\tau$ whenever there is $k \geq 1$ and morphisms $f_i \in \mathcal{M}_{A,\mathcal{Z}(A)}(M_\sigma, N_\tau)$, $g_i \in \mathcal{M}_{A,\mathcal{Z}(A)}(N_\tau, M_\sigma)$, for $i = 1, \dots, k$, such that $\sum_i g_i \circ f_i = M$. We will write $M_\sigma \sim N_\tau$ whenever both $M_\sigma | N_\tau$ and $N_\tau | M_\sigma$.
- (2) If there is $k \geq 1$ and morphisms $f_i \in \text{Hom}_{A,A}(M, N)$, $g_i \in \text{Hom}_{A,A}(N, M)$, for $i = 1, \dots, k$, such that $\sum_i g_i \circ f_i = M$, then we will write $M | N$. Since our base category \mathcal{M} is an abelian category, this is equivalent to say that M , as an A -bimodule, is direct summand of a finite direct sum of copies of N . We will write $M \sim N$ whenever both $M | N$ and $N | M$. The same notation was used for bimodules over rings by Miyashita in [23] which in fact goes back to a Hirata [13], although with different symbols.

The possible relation between the items (1) and (2) in the previous Definition will be explored in Proposition 3.8 below. Part of the following Theorem can be compared with [25, Theorem 5.3].

THEOREM 3.6. *Let (A, m, u) be a monoid in \mathcal{M} . Let $\sigma, \delta, \gamma : \mathcal{Z}(A) \rightarrow \mathcal{Z}(A)$ be $\mathcal{Z}(\mathbb{I})$ -linear maps and assume that $A_\gamma | A_\delta$. Then the morphism $m_{\sigma, \gamma}^\delta$ is a split epimorphism. If we further assume that A is right flat and that $u_\delta : \mathbb{I} \rightarrow {}_\delta J_\delta$ is an isomorphism, then $m_{\sigma, \gamma}^\delta$ is an isomorphism.*

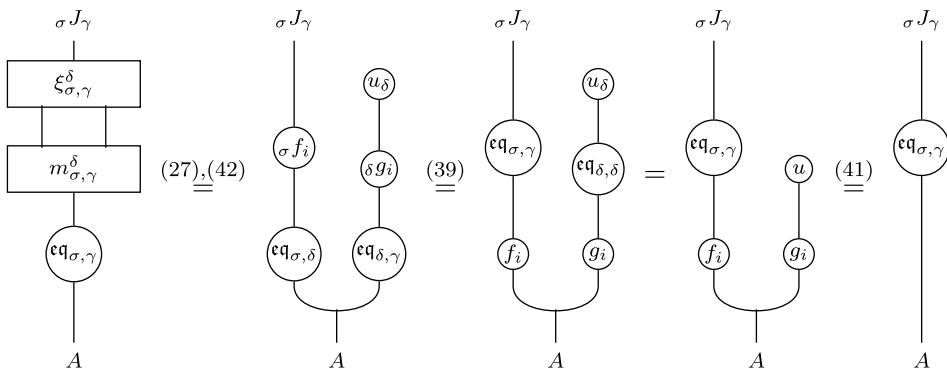
Proof. Let g_i denote the resulting maps from the assumption $A_\gamma | A_\delta$. Since each g_i is left A -linear, we have

$$(41) \quad \sum_i f_i \triangleleft (g_i \circ u) = \sum_i g_i \circ (f_i \triangleleft u) = \sum_i g_i \circ f_i = A.$$

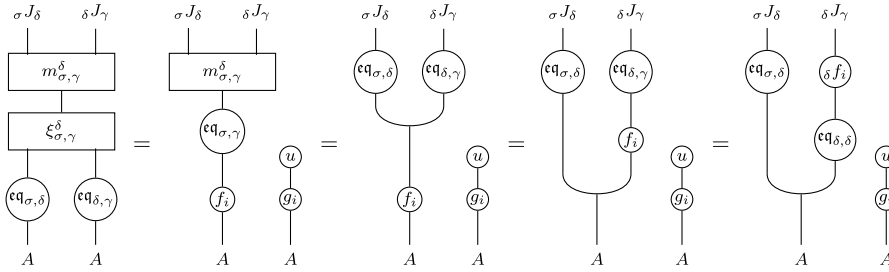
We set $\xi_{\sigma, \gamma}^\delta := (\sum_i \sigma f_i \otimes \delta g_i) \circ (\sigma J_\gamma \otimes u_\delta) \circ r_{\sigma J_\gamma}^{-1}$, where σf_i and δg_i are defined as in equation (39). By its own definition the morphism $\xi_{\sigma, \gamma}^\delta$ satisfies

$$(42) \quad \begin{array}{c} \sigma J_\gamma \\ \boxed{\xi_{\sigma, \gamma}^\delta} \\ \sigma J_\delta \quad \delta J_\gamma \end{array} = \begin{array}{c} \sigma J_\gamma \\ \sigma f_i \\ \sigma J_\delta \end{array} \quad \begin{array}{c} u_\delta \\ \delta g_i \\ \delta J_\gamma \end{array}$$

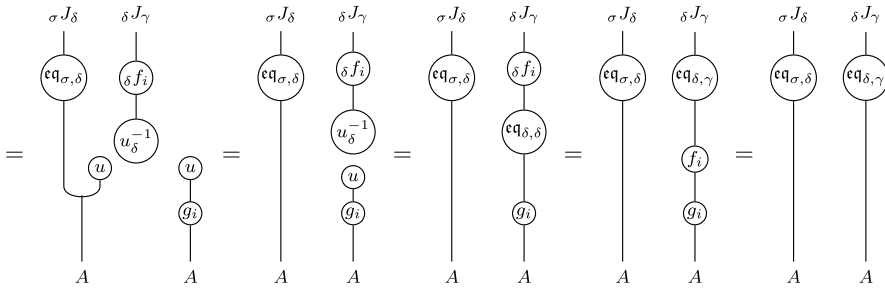
where the summation is understood. So we compute



Since $cq_{\sigma, \gamma}$ is a monomorphism, we conclude that $m_{\sigma, \gamma}^\delta \circ \xi_{\sigma, \gamma}^\delta = \sigma J_\gamma$ and hence $m_{\sigma, \gamma}^\delta$ is a split epimorphism. Now let us check, under the assumptions $u_\delta : \mathbb{I} \rightarrow {}_\delta J_\delta$ is an isomorphism and A is right flat, that $m_{\sigma, \gamma}^\delta$ is indeed an isomorphism. Using diagrams, with summation understood again, we have



where in the first equality we have used simultaneously equations (42), (39) and the fact that the unit u_δ of δJ_δ satisfies $\mathfrak{e}q_{\delta,\delta} \circ u_\delta = u$ the unit of A . We continue then our computation



If $\mathfrak{e}q_{\sigma,\delta} \otimes \mathfrak{e}q_{\delta,\gamma}$ is a monomorphism, then we get $\xi_{\sigma,\gamma}^\delta \circ m_{\sigma,\gamma}^\delta = \sigma J_\delta \otimes \delta J_\gamma$, and so $m_{\sigma,\gamma}^\delta$ is an isomorphism.

The fact that $\mathfrak{e}q_{\sigma,\delta} \otimes \mathfrak{e}q_{\delta,\gamma}$ is a monomorphism is proved as follows. First, using Proposition 2.5 and that $A_\gamma|A_\delta$, one shows that $(\gamma J_\delta, \delta J_\gamma, \overline{m}_{\delta,\delta}^\gamma, \overline{\xi}_{\gamma,\gamma}^\delta)$ is a right dualizable datum between the monoids γJ_γ and δJ_δ , where $\overline{\xi}_{\gamma,\gamma}^\delta = \chi_{\gamma,\gamma}^\delta \circ \xi_{\gamma,\gamma}^\delta$ is a splitting of $\overline{m}_{\gamma,\gamma}^\delta$. Secondly, by Proposition 1.4, we obtain that δJ_γ is left flat as $\mathbb{I} \cong \delta J_\delta$. In this way, we deduce that $\mathfrak{e}q_{\sigma,\delta} \otimes \mathfrak{e}q_{\delta,\gamma} = (A \otimes \mathfrak{e}q_{\delta,\gamma}) \circ (\mathfrak{e}q_{\sigma,\delta} \otimes \delta J_\gamma)$ is a monomorphism since A is right flat. \square

As a consequence of Theorem 3.6, we have

COROLLARY 3.7. *Let (A, m, u) be a monoid such that A is right flat and $u_1 : \mathbb{I} \rightarrow {}_1J_1$ is an isomorphism. Take $\theta \in \text{Aut}_{\mathcal{Z}(\mathbb{I})\text{-alg}}(\mathcal{Z}(A))$ such that $A_\theta \sim A_1$. Then $\theta \in \mathcal{G}_{\mathcal{Z}(\mathbb{I})}(\mathcal{Z}(A))$ the subgroup defined in (35).*

Under the assumptions of Corollary 3.7, we do not know if the invertibility of θJ_1 , for some $\theta \in \text{Aut}_{\mathcal{Z}(\mathbb{I})\text{-alg}}(\mathcal{Z}(A))$, is a sufficient condition to have

that $A_\theta \sim A_1$. This is why at this level of generality it is convenient to distinguish between the subset of elements θ for which ${}_\theta J_1$ is invertible and those for which $A_\theta \sim A_1$. However, as we will see below, for Azumaya monoids in \mathcal{M} where \mathcal{Z} is faithful, these two subsets coincide as subgroups of $\text{Aut}_{\mathcal{Z}(\mathbb{I})\text{-alg}}(\mathcal{Z}(A))$. Thus, under these stronger assumptions one obtains the converse of the previous corollary, as in the classical case (see e.g., [23]).

The following result collects useful properties of Definition 3.5.

PROPOSITION 3.8. *Let L, M, N be A -bimodules and let $\rho, \sigma, \tau : \mathcal{Z}(A) \rightarrow \mathcal{Z}(A)$ be $\mathcal{Z}(I)$ -linear maps. Then we have the following properties:*

- (1) $\text{Hom}_{A,A}(M, N) \subseteq \mathcal{M}_{A,\mathcal{Z}(A)}(M_\sigma, N_\sigma)$.
- (2) $M|N$ implies $M_\sigma|N_\sigma$.
- (3) $M \cong N$ implies $M_\sigma \sim N_\sigma$.
- (4) $M|N$ implies $M \otimes_A L|N \otimes_A L$.
- (5) $\mathcal{M}_{A,\mathcal{Z}(A)}(M_\sigma, N_\tau) \circ \mathcal{M}_{A,\mathcal{Z}(A)}(L_\rho, M_\sigma) \subseteq \mathcal{M}_{A,\mathcal{Z}(A)}(L_\rho, N_\tau)$, where \circ is the composition in ${}_A\mathcal{M}$.
- (6) $L_\rho|M_\sigma$ and $M_\sigma|N_\tau$ implies $L_\rho|N_\tau$.
- (7) If $M_\sigma|N_\tau$, then $M_{\sigma\rho}|N_{\tau\rho}$.

Proof. (1) Let $f \in \text{Hom}_{A,A}(M, N)$. Then $f \in \text{Hom}_{A-}(M, N)$ and, for every $z \in \mathcal{Z}(A)$, we have

$$f \circ (M \triangleleft \sigma(z)) = f \circ \varrho_N \circ (M \otimes \sigma(z)) = \varrho_M \circ (f \otimes A) \circ (M \otimes \sigma(z)) = f \triangleleft \sigma(z).$$

(2) It follows by (1).

(3) Let $f : M \rightarrow N$ be an isomorphism of A -bimodules. Set $k := 1, f_1 := f$ and $g_1 := f^{-1}$. Clearly $\sum_{i=1}^k g_i \circ f_i = M$ so that, by (2), we get $M_\sigma|N_\sigma$. If we interchange the roles of M and N we get also $N_\sigma|M_\sigma$.

(4) Let $k \geq 1$ and let $f_i \in \text{Hom}_{A,A}(M, N), g_i \in \text{Hom}_{A,A}(N, M)$, for $i = 1, \dots, k$, such that $\sum_i g_i \circ f_i = M$. Then $f'_i := f_i \otimes_A L \in \text{Hom}_{A,A}(M \otimes_A L, N \otimes_A L), g'_i := g_i \otimes_A L \in \text{Hom}_{A,A}(N \otimes_A L, M \otimes_A L)$. Moreover, $\sum_i g'_i \circ f'_i = M \otimes_A L$.

(5) Let $f \in \mathcal{M}_{A,\mathcal{Z}(A)}(M_\sigma, N_\tau)$ and $g \in \mathcal{M}_{A,\mathcal{Z}(A)}(L_\rho, M_\sigma)$. Then $f \circ g \in \text{Hom}_{A-}(L, N)$. Moreover,

$$\begin{aligned} f \circ g \circ (L \triangleleft \rho(z)) &= f \circ (g \triangleleft \sigma(z)) = f \circ (M \triangleleft \sigma(z)) \circ g \\ &= (f \triangleleft \tau(z)) \circ g = (f \circ g) \triangleleft \tau(z). \end{aligned}$$

(6) By assumption there is $k \geq 1$ and morphisms $f_i \in \mathcal{M}_{A, \mathcal{Z}(A)}(M_\sigma, N_\tau)$, $g_i \in \mathcal{M}_{A, \mathcal{Z}(A)}(N_\tau, M_\sigma)$, for $i = 1, \dots, k$, such that $\sum_i g_i \circ f_i = M$. Moreover, there is $k' \geq 1$ and morphisms $f'_i \in \mathcal{M}_{A, \mathcal{Z}(A)}(L_\rho, M_\sigma)$, $g'_i \in \mathcal{M}_{A, \mathcal{Z}(A)}(M_\sigma, L_\rho)$, for $i = 1, \dots, k'$, such that $\sum_i g'_i \circ f'_i = L$. Set $f_{i,j} := f_i \circ f'_j$ and $g_{i,j} := g'_i \circ g_j$. Then $\sum_{i,j} g_{i,j} \circ f_{j,i} = \sum_{i,j} g'_i \circ g_j \circ f_j \circ f'_i = L$ and, by (5), we have that $f_{i,j} \in \mathcal{M}_{A, \mathcal{Z}(A)}(L_\rho, N_\tau)$ and $g_{i,j} \in \mathcal{M}_{A, \mathcal{Z}(A)}(N_\tau, L_\rho)$.

(7) It follows from the obvious inclusion $\mathcal{M}_{A, \mathcal{Z}(A)}(M_\sigma, N_\tau) \subseteq \mathcal{M}_{A, \mathcal{Z}(A)}(M_{\sigma\rho}, N_{\tau\rho})$. □

Take M, N, L to be three A -bimodules, and let $\sigma, \tau : \mathcal{Z}(A) \rightarrow \mathcal{Z}(A)$ be $\mathcal{Z}(\mathbb{I})$ -linear maps. We define

$$\begin{aligned} \mathcal{M}_{A, \mathcal{Z}(A)}(L \otimes M_\sigma, L \otimes N_\tau) := \\ \{f \in \text{Hom}_A(L \otimes M, L \otimes N) \mid f \circ (L \otimes (M \triangleleft \sigma(z))) = f \triangleleft \tau(z), \forall z \in \mathcal{Z}(A)\} \end{aligned}$$

where $f \triangleleft \tau(z) = (L \otimes (N \triangleleft \tau(z))) \circ f$ as the right A -module structure of $L \otimes N$ is the one coming from N . Using this set we define as in Definition 3.5, the relations $L \otimes M_\sigma | L \otimes N_\tau$ and $L \otimes M_\sigma \sim L \otimes N_\tau$.

PROPOSITION 3.9. *Let M be an A -bimodule and let α, β be two monoids automorphisms of A . Set $\sigma := \mathcal{Z}(\alpha)$ and $\tau := \mathcal{Z}(\beta)$. Then $M \otimes A_\sigma \sim M \otimes A_\tau$.*

Proof. Set $k := 1, f_1 := M \otimes \beta \alpha^{-1}$ and $g_1 := f_1^{-1}$. Clearly $f_1 \in \mathcal{M}_{A, -}(M \otimes A, M \otimes A)$. Moreover,

$$\begin{aligned} f_1 \circ ((M \otimes A) \triangleleft \sigma(z)) &= (M \otimes \beta) \circ (M \otimes \alpha^{-1}) \circ (M \otimes (A \triangleleft \sigma(z))) \\ &= M \otimes [\beta \circ \alpha^{-1} \circ (A \triangleleft \sigma(z))] \\ &= M \otimes [(\beta \circ \alpha^{-1}) \triangleleft (\beta \circ \alpha^{-1} \circ \sigma(z))] \\ &= M \otimes [(\beta \circ \alpha^{-1}) \triangleleft (\beta \circ \alpha^{-1} \circ \alpha \circ z)] \\ &= M \otimes [(\beta \circ \alpha^{-1}) \triangleleft (\beta \circ z)] \\ &= M \otimes [(\beta \circ \alpha^{-1}) \triangleleft \tau(z)] \\ &= f_1 \triangleleft \tau(z) \end{aligned}$$

so that $f_1 \in \mathcal{M}_{A, \mathcal{Z}(A)}(M \otimes A_\sigma, M \otimes A_\tau)$. A similar argument shows that $g_1 \in \mathcal{M}_{A, \mathcal{Z}(A)}(M \otimes A_\tau, M \otimes A_\sigma)$. Since $\sum_i g_i \circ f_i = M \otimes A$, we conclude that $M \otimes A_\sigma | M \otimes A_\tau$. If we interchange the roles of M and N and the ones of σ and α we get also $M \otimes A_\tau | M \otimes A_\sigma$. □

THEOREM 3.10. *Let (A, m, u) be a monoid in \mathcal{M} and assume that $A \otimes A \sim A$. Let α, β be two monoids automorphisms of A and set $\sigma := \mathcal{Z}(\alpha)$ and $\tau := \mathcal{Z}(\beta)$. Then $A_\sigma \sim A_\tau$.*

Proof. We split the proof in three steps.

(1) Since $A \cong A \otimes_A A$, by Proposition 3.8(3), we get $A_\sigma \sim (A \otimes_A A)_\sigma = A \otimes_A A_\sigma$.

(2) Since $A \sim A \otimes A$, in view of Proposition 3.8(4), we have $A \otimes_A A \sim A \otimes A \otimes_A A$ and hence $A \otimes_A A_\sigma \sim A \otimes A \otimes_A A_\sigma$, by Proposition 3.8(2).

(3) Since $A \otimes A \otimes_A A \cong A \otimes A$, by Proposition 3.8(3), we get $A \otimes A \otimes_A A_\sigma \sim A \otimes A_\sigma$.

Now, if we glue together (1), (2) and (3) using Proposition 3.8(6), we obtain $A_\sigma \sim A \otimes A_\sigma$. Similarly one gets $A_\tau \sim A \otimes A_\tau$. The conclusion follows by Propositions 3.9 and 3.8(6). □

COROLLARY 3.11. *Let (A, m, u) be a monoid in \mathcal{M} with a right flat underlying object A . Assume that $A \otimes A \sim A$ and $u_1 : \mathbb{I} \rightarrow {}_1J_1$ is an isomorphism. Let α be a monoid automorphism of A and set $\sigma := \mathcal{Z}(\alpha)$. Then $\sigma J_1 \in \text{Inv}_{\mathbb{I}}(A)$ with inverse ${}_1J_\sigma$. Moreover, $\sigma = \Phi_{\sigma J_1} \in \mathcal{G}_{\mathcal{Z}(\mathbb{I})}(\mathcal{Z}(A))$, where Φ is the morphism of groups $\Phi^{\mathbb{I}}$ given in Proposition 2.3. In particular we have a group homomorphism*

$$\omega : \text{Aut}_{\text{alg}}(A) \rightarrow \mathcal{G}_{\mathcal{Z}(\mathbb{I})}(\mathcal{Z}(A)), \quad \{\gamma \mapsto \mathcal{Z}(\gamma)\},$$

where $\text{Aut}_{\text{alg}}(A)$ stands for the automorphisms group of the monoid A inside \mathcal{M} .

Proof. By Theorem 3.10, we have that $A_\sigma \sim A_1$. Henceforth, we apply Corollary 3.7 to obtain that $\sigma \in \mathcal{G}_{\mathcal{Z}(\mathbb{I})}(\mathcal{Z}(A))$, which means that $\sigma J_1 \in \text{Inv}_{\mathbb{I}}(A)$ with inverse ${}_1J_\sigma$. By applying now Theorem 3.4, it is clear that $\sigma = \widehat{\Phi} \widehat{\Phi}^{-1}(\sigma) = \Phi_{\sigma J_1}$. The particular statement is immediate. □

The following main result gives conditions under which the Miyashita action is bijective.

THEOREM 3.12. *Let $(\mathcal{M}, \otimes, \mathbb{I})$ be a Penrose monoidal abelian, locally small and bicomplete category with right exact tensor products functors. Let (A, m, u) be a monoid in \mathcal{M} with a right flat underlying object A . Assume that $A \otimes A \sim A$ and $u_1 : \mathbb{I} \rightarrow {}_1J_1$ is an isomorphism. Consider the map ω as in Corollary 3.11 and ς, Φ as in Theorem 3.4.*

- (1) If the map $\Omega : \text{Aut}_{alg}(A) \rightarrow \text{Aut}_{\mathcal{Z}(\mathbb{I})-alg}(\mathcal{Z}(A))$, $\gamma \mapsto \mathcal{Z}(\gamma)$ is surjective, then ς and Φ are bijective.
- (2) If Ω is surjective and \mathcal{Z} is faithful, then both Ω and ω are bijective. In this case, we obtain a chain of isomorphisms of groups:

$$\text{Inv}_{\mathbb{I}}(A) \cong \text{Aut}_{\mathcal{Z}(\mathbb{I})-alg}(\mathcal{Z}(A)) \cong \text{Aut}_{alg}(A) \cong \mathcal{G}_{\mathcal{Z}(\mathbb{I})}(\mathcal{Z}(A)).$$

Proof. (1) Since $\Omega = \varsigma \circ \omega$ is surjective, it is clear that ς is surjective, and so bijective as it is by construction injective. Therefore, by Theorem 3.4, this implies that $\Phi = \varsigma \circ \widehat{\Phi}$ is bijective as well. (2) If \mathcal{Z} is faithful, then clearly Ω is injective, hence it is also bijective. Thus $\omega = \varsigma^{-1} \circ \Omega$ is also bijective. The stated chain of isomorphisms of groups is now immediate. \square

REMARK 3.13. Under the assumptions made on A in Theorem 3.12, if we further assume that \mathcal{Z} is full and faithful, then clearly we obtain the chain of isomorphisms stated there. As we will see below, part of those isomorphisms are also obtained in the special case of certain Azumaya monoids.

§4. Miyashita action: the Azumaya case

The main aim in this section is to apply the foregoing results to a certain class of Azumaya monoids (see Definition 4.3 below) when the base category is symmetric. The novelty here is the construction of a homomorphism of groups Γ from $\text{Inv}_{\mathbb{I}}(A)$ to $\text{Aut}_{alg}(A)$, which is shown to be bijective when A is an Azumaya monoid (with a certain property) and \mathcal{Z} is faithful; see Corollary 4.9.

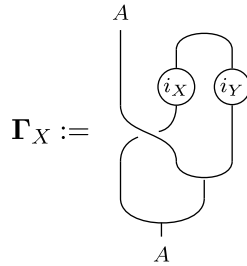
In all this section $(\mathcal{M}, \otimes, \mathbb{I})$ is symmetric monoidal abelian, locally small and bicomplete category with right exact tensor products functors. We denote by $\tau_{M,N} : M \otimes N \rightarrow N \otimes M$ the natural isomorphism defining the symmetry of \mathcal{M} .

4.1 The map Γ

Let (A, m, u) be a monoid in \mathcal{M} with u a monomorphism. Consider $X \in \text{Inv}_{\mathbb{I}}(A)$ with inverse Y . Define the morphism

$$\begin{aligned} \Gamma_{(X,Y)} : A &\xrightarrow{\cong} A \otimes X \otimes Y \xrightarrow{\tau \otimes Y} X \otimes A \otimes Y \\ &\xrightarrow{i_X \otimes A \otimes i_Y} A \otimes A \otimes A \xrightarrow{m \circ (A \otimes m)} A. \end{aligned}$$

An argument analogue to the one used in Proposition 2.2 for $\sigma_{X,Y}$, shows that this morphism does not depend on the choice of Y (nor on a representing object of the equivalence class of (X, i_X)) so that we can also denote it by Γ_X . This, in fact, defines a map to the endomorphisms ring of A with image in the automorphisms group as the following result shows. First we give the following diagrammatic expression of Γ_X



PROPOSITION 4.1. *The map*

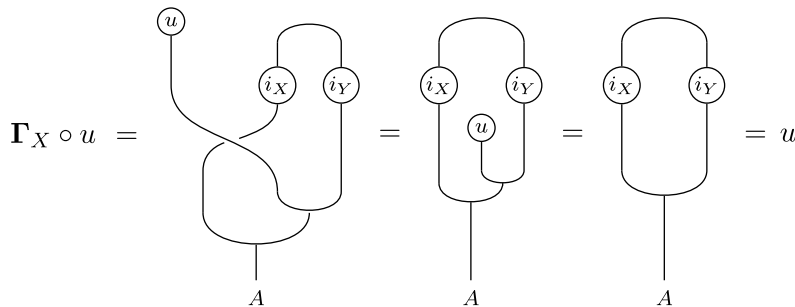
$$\Gamma : \text{Inv}_{\mathbb{I}}(A) \longrightarrow \text{Aut}_{alg}(A), \quad (X \longmapsto \Gamma_X)$$

is a homomorphism of groups. In particular we have $\Phi = \Omega \circ \Gamma$, where Ω is as in Theorem 3.12 and $\Phi := \Phi^{\mathbb{I}}$ as in Proposition 2.3.

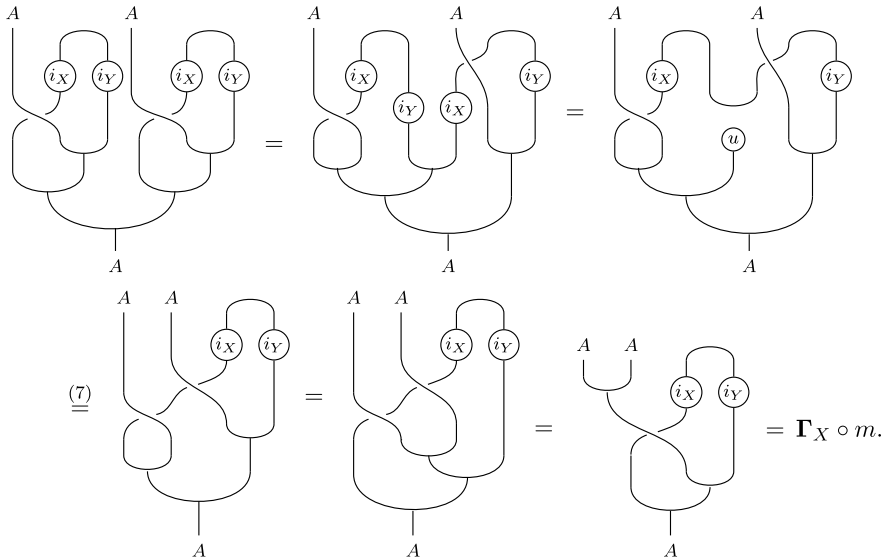
Proof. In view of Corollary 1.13 (here the assumption u is monomorphism is used), it suffices to prove that we have a morphism of monoids

$$\Gamma : (\text{Inv}_{\mathbb{I}}^r(A), \otimes, \mathbb{I}) \longrightarrow (\text{End}_{alg}(A), \circ, \text{Id}_A), \quad (X \longmapsto \Gamma_X).$$

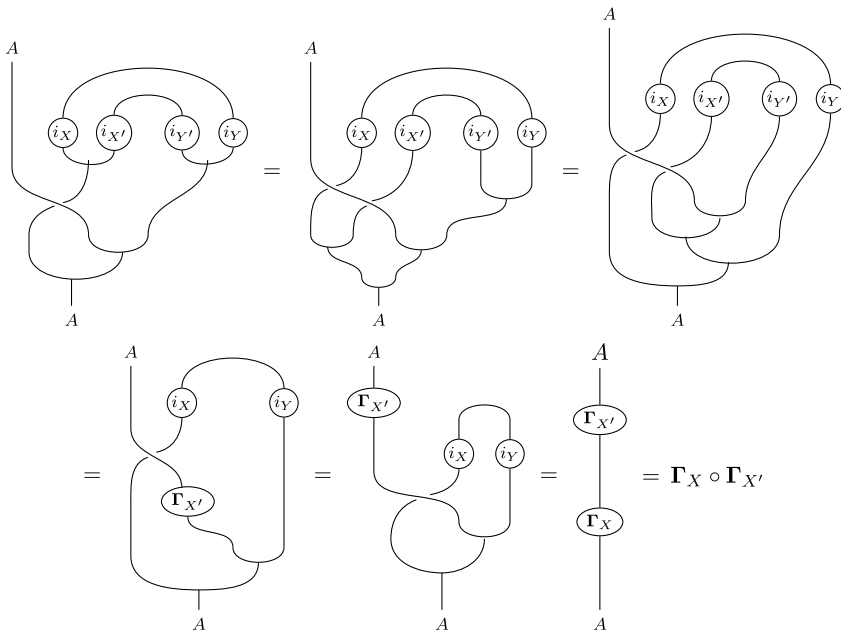
First we have to check that this map is well defined, that is Γ_X is a monoid endomorphism of A . Let us check that Γ_X is unitary



Let us check that Γ_X is multiplicative. We start by computing $m \circ (\Gamma_X \otimes \Gamma_X) =$



It is clear that $\Gamma_{\mathbb{I}} = \text{Id}_A$. Let now $X, X' \in \text{Inv}_{\mathbb{I}}^r(A)$ have right inverses Y, Y' respectively. Then, we compute $\Gamma_{X \otimes X'} =$



It is now clear that, for $X \in \text{Inv}_{\mathbb{I}}(A)$ with inverse Y , one has $\Gamma_X^{-1} = \Gamma_Y$. The particular statement is clear, and this finishes the proof. \square

4.2 Central monoid with a left internal hom functor

Let (A, m, u) be a monoid in \mathcal{M} we denote by A^e the monoid $A \otimes A^o$ where A^o is the opposite monoid (i.e., A with the multiplication morphism twisted by the symmetry τ). Since our base category \mathcal{M} is symmetric, we can as in the classical case, identify the category of A -bimodules with the category of left (or right) A^e -modules. Assume that the functor $A \otimes - : \mathcal{M} \rightarrow \mathcal{M}$ has a right adjoint functor, which we denote by $[A, -] : \mathcal{M} \rightarrow \mathcal{M}$. In this case, we say that A has a left internal hom functor. Consider as in Appendix B the functor ${}_{A^e}[A, -] : {}_{A^e}\mathcal{M} \rightarrow \mathcal{M}$ which is the right adjoint of $A \otimes - : \mathcal{M} \rightarrow {}_{A^e}\mathcal{M}$ with the canonical natural monomorphism ${}_{A^e}[A, -] \hookrightarrow [A, \mathcal{O}(-)]$, where $\mathcal{O} : {}_{A^e}\mathcal{M} \rightarrow \mathcal{M}$ is the forgetful functor. On the other hand, notice that \mathcal{O} is faithful and exact.

The monoid A is said to be *central* provided that the canonical map $\mathbb{I} \rightarrow {}_{A^e}[A, A]$ is an isomorphism (this is the counit at \mathbb{I} of the previous adjunction).

PROPOSITION 4.2. *Let (A, m, u) be a monoid in \mathcal{M} and consider the submonoid ${}_1J_1$ of equation (23) with structure given by Proposition 2.5(iii). Assume that A has a left internal hom functor. Then*

- (i) *there is a commutative diagram of monoids:*

$$\begin{array}{ccc}
 {}_{A^e}[A, A] & \hookrightarrow & A \\
 & \searrow \lambda & \uparrow \\
 & & {}_1J_1
 \end{array}$$

- (ii) *Assume that $\mathbb{I} \cong {}_1J_1$ via the unit given in (31) (thus u is a monomorphism). Then ${}_{A^e}[A, A] \cong \mathbb{I}$ and so A is central.*
- (iii) *If A is central and the functor \mathcal{Z} reflects isomorphisms, then $\mathbb{I} \cong {}_1J_1$ via its unit.*
- (iv) *When \mathcal{Z} is faithful (i.e., \mathbb{I} is a generator), then A is central if and only if $\mathbb{I} \cong {}_1J_1$.*

Proof. (i). By [10, Proposition 3.3.], we can identify ${}_{A^e}[A, A]$ with the equalizer

$$(43) \quad 0 \longrightarrow {}_{A^e}[A, A] \longrightarrow A \begin{array}{c} \xrightarrow{[A, m] \circ \zeta_A^A} \\ \xrightarrow{[A, m \circ \tau] \circ \zeta_A^A} \end{array} \rightrightarrows [A, A],$$

where ζ^A is the unit of the adjunction $A \otimes - \dashv [A, -]$. Now, using the universal property of ${}_1J_1$ given by equation (25), one shows the existence of the triangle. We leave to the reader to check that the stated diagram is in fact a triangle of monoids.

(ii) It follows from the fact that the diagram in (i) commutes and that the morphisms involved are unitary.

(iii) The definition of the functor ${}_{A^e}[A, -]$ obviously implies the isomorphism $\mathcal{Z}({}_{A^e}[A, A]) \cong \text{Hom}_{A^e.}(A, A)$ of $\mathcal{Z}(\mathbb{I})$ -algebras. On the other hand, under the assumption made on the functor \mathcal{Z} a tedious computation gives a chase to an isomorphism $\mathcal{Z}({}_1J_1) \cong \text{Hom}_{A^e.}(A, A)$ of $\mathcal{Z}(\mathbb{I})$ -algebras. Combining these two isomorphisms shows that $\mathcal{Z}(\lambda)$ is an isomorphism. Therefore, ${}_1J_1 \cong {}_{A^e}[A, A] \cong \mathbb{I}$, since A is central.

(iv) We only need to check the direct implication since the converse follows by the second item. This implication clearly follows from part (iii), since a faithful functor, whose domain is an abelian category, reflects isomorphisms. □

4.3 The Azumaya case

The notion of Azumaya monoid in a monoidal category of modules over a commutative ring (see [18, Théorème 5.1] for equivalent definitions), can be extended to any closed symmetric monoidal additive category; see for example [11, 30]. However, one can drop the additivity and the closeness conditions on the base monoidal category, as was done in [26], and the definition of Azumaya monoid still makes sense in this context. In our setting \mathcal{M} is a symmetric abelian category which is possibly not closed, so we can follow the ideas of [26, 30].

DEFINITION 4.3. [11, 26, 30] A monoid (A, m, u) in the monoidal category \mathcal{M} is called an *Azumaya monoid* if the functor $A \otimes - : \mathcal{M} \rightarrow {}_{A^e}\mathcal{M}$ establishes an equivalence of categories and the multiplication m splits as a morphism of A -bimodules (in other words A is a *separable monoid*). This, in fact, is the notion of 2-Azumaya in the sense of [26].

It is convenient to make some comments and remarks on the conditions of the previous definition.

Remarks 4.4. Consider an Azumaya monoid (A, m, u) in \mathcal{M} as in Definition 4.3.

- (i) It is noteworthy to mention that one cannot expect to have for free that A is a dualizable object in \mathcal{M} , that is dualizable as in Definition 1.2 with the trivial structure of (\mathbb{I}, \mathbb{I}) -bimodule. This perhaps happens when \mathbb{I} is a small generator in \mathcal{M} . However, as was shown in [30, Proposition 1.2], A is in fact a dualizable object in a certain monoidal category of monoids whose dual object is exactly the opposite monoid A^o . On the other hand, one can show as follows that A forms part of a two-sided dualizable datum in the sense of Definition 1.2 by taking \mathbb{I} and A^e as base monoids. Following the proof of [30, Proposition 1.2] since A can be considered either as an (\mathbb{I}, A^e) -bimodule or as an (A^e, \mathbb{I}) -bimodule, $A \otimes - : \mathcal{M} \rightarrow {}_{A^e}\mathcal{M}$ is an equivalence of categories if and only if $A \otimes_{A^e} - : {}_{A^e}\mathcal{M} \rightarrow \mathcal{M}$ is so. In this way, by applying twice [25, Proposition 5.1] or [30, Proposition 1.3], we obtain the existence of two objects: $[A, \mathbb{I}]$ and $[A, A]$ together with the following natural isomorphisms $\text{Hom}_{\mathcal{M}}(A \otimes -, \mathbb{I}) \cong \text{Hom}_{\mathcal{M}}(-, [A, \mathbb{I}])$ and $\text{Hom}_{\mathcal{M}}(A \otimes -, A) \cong \text{Hom}_{\mathcal{M}}(-, [A, A])$. Furthermore, there are isomorphisms: $[A, \mathbb{I}] \otimes A \cong A^e$ of A^e -bimodules, $\mathbb{I} \cong A \otimes_{A^e} [A, \mathbb{I}]$ of objects in \mathcal{M} and $A^e = A \otimes A^o \cong [A, A]$ of monoids. Thus, the pair $(A, [A, \mathbb{I}])$, within these two first isomorphisms, is a two-sided dualizable datum relating the monoids \mathbb{I} and A^e in the sense of Definition 1.2, as claimed above.
- (ii) Since $A \otimes - : \mathcal{M} \rightarrow {}_{A^e}\mathcal{M}$ is an equivalence of categories, it has a right adjoint functor which, as in Appendix B, is denoted by ${}_{A^e}[A, -] : {}_{A^e}\mathcal{M} \rightarrow \mathcal{M}$. In contrast with Proposition B.1, here we only know that ${}_{A^e}[A, -]$ exists and there are no indications about its construction. Indeed, at this level of generality, it is not clear whether A has a left internal hom functor in \mathcal{M} . Thus a very interesting class of Azumaya monoids consists of those for which the underlying object has this property. This is, of course, the case of the usual class of Azumaya algebras over commutative rings.

REMARK 4.5. Let (A, m, u) be a monoid in \mathcal{M} . In Definition 4.3 we cannot drop the separability condition in general as it happens in the classical case. This is due to the fact that \mathbb{I} is not always projective in \mathcal{M} . However, if we assume that \mathbb{I} is projective in \mathcal{M} and $A \otimes - : \mathcal{M} \rightarrow {}_{A^e}\mathcal{M}$ is an equivalence, then A must be an Azumaya monoid. Indeed, since

${}_{A^e}[A, m] : {}_{A^e}[A, A^e] \rightarrow {}_{A^e}[A, A] \cong \mathbb{I}$ is an epimorphism being the image of m by the equivalence ${}_{A^e}[A, -]$, then ${}_{A^e}[A, m]$ must split as \mathbb{I} is projective. Therefore, m itself must split in ${}_{A^e}\mathcal{M}$, that is, A should be separable.

On the other hand, observe that A is separable if and only if it is projective relatively to all morphisms in ${}_{A^e}\mathcal{M}$ which split as morphisms in \mathcal{M} ; see for example [1, Theorem 1.30 and equality (5)]. Since this does not mean that A is projective in ${}_{A^e}\mathcal{M}$, then \mathbb{I} is not projective in \mathcal{M} provided that $A \otimes - : \mathcal{M} \rightarrow {}_{A^e}\mathcal{M}$ is an equivalence. Hence if A is Azumaya, we cannot conclude that \mathbb{I} is projective in \mathcal{M} .

Before giving more consequences of Definition 4.3, we give here conditions under which $\mathcal{Z}(A)$ is an Azumaya $\mathcal{Z}(\mathbb{I})$ -algebra. Recall from [9, Proposition 1.2] that an object X in \mathcal{M} is said to be a *Künneth object* if it is a direct summand of a finite product of copies of \mathbb{I} . In the notation of Section 3.2 this means that $X|\mathbb{I}$ in \mathcal{M} . In case \mathcal{M} is closed, any Künneth object is obviously a dualizable object cf. [9].

PROPOSITION 4.6. *Let (A, m, u) be an Azumaya monoid in \mathcal{M} with underlying dualizable Künneth object A . Then $\mathcal{Z}(A)$ is an Azumaya $\mathcal{Z}(\mathbb{I})$ -algebra in the classical sense.*

Proof. It is clear that $\mathcal{Z}(A)$ is a finitely generated and projective $\mathcal{Z}(\mathbb{I})$ -module. Using the characterization of Azumaya algebras (see for example [7, 16]), we need to check that $\text{End}_{\mathcal{Z}(\mathbb{I})}(\mathcal{Z}(A))$ is isomorphic as a $\mathcal{Z}(\mathbb{I})$ -algebra to $\mathcal{Z}(A) \otimes_{\mathcal{Z}(\mathbb{I})} \mathcal{Z}(A)^o$, which is proved as follows. Following the ideas of [9, Proposition 1.2], for any object X in \mathcal{M} , we know that $\mathcal{Z}(X) \otimes_{\mathcal{Z}(\mathbb{I})} \mathcal{Z}(\mathbb{I}^n) \cong \mathcal{Z}(X \otimes \mathbb{I}^n)$. Thus, the same isomorphism is inherited by any direct summands of some \mathbb{I}^n . Therefore, we have an isomorphism $\mathcal{Z}(X) \otimes_{\mathcal{Z}(\mathbb{I})} \mathcal{Z}(A) \cong \mathcal{Z}(X \otimes A)$ and by symmetry $\mathcal{Z}(A) \otimes_{\mathcal{Z}(\mathbb{I})} \mathcal{Z}(X) \cong \mathcal{Z}(A \otimes X)$, for any object X in \mathcal{M} . In particular, we have

$$\mathcal{Z}(A) \otimes_{\mathcal{Z}(\mathbb{I})} \mathcal{Z}(A) \cong \mathcal{Z}(A \otimes A), \quad \text{and} \quad \mathcal{Z}(A) \otimes_{\mathcal{Z}(\mathbb{I})} \mathcal{Z}([A, \mathbb{I}]) \cong \mathcal{Z}(A \otimes [A, \mathbb{I}]).$$

Therefore, $\mathcal{Z}([A, \mathbb{I}]) \cong \mathcal{Z}(A)^*$ as $\mathcal{Z}(\mathbb{I})$ -modules, where $\mathcal{Z}(A)^*$ is the $\mathcal{Z}(\mathbb{I})$ -linear dual of $\mathcal{Z}(A)$, since $[A, \mathbb{I}]$ is a dual object of A in \mathcal{M} . By Remark 4.4(i), we have a chain of isomorphisms $A^e \cong [A, A] \cong A \otimes [A, \mathbb{I}]$, from which we deduce the following isomorphisms

$$\begin{aligned} \mathcal{Z}(A) \otimes_{\mathcal{Z}(\mathbb{I})} \mathcal{Z}(A)^o &\cong \mathcal{Z}(A \otimes A^o) \cong \mathcal{Z}([A, A]) \cong \mathcal{Z}(A) \otimes_{\mathcal{Z}(\mathbb{I})} \mathcal{Z}(A)^* \\ &\cong \text{End}_{\mathcal{Z}(\mathbb{I})}(\mathcal{Z}(A)), \end{aligned}$$

whose composition leads to the desired $\mathcal{Z}(\mathbb{I})$ -algebra isomorphism. □

In view of Remark 4.4(ii), *in what follows we only consider an Azumaya monoid (A, m, u) for which the underlying object A has a left internal hom functor in \mathcal{M} .* This is the case, for instance, when A is a left dualizable object in \mathcal{M} (in the sense of Definition 1.2 with $R = S = \mathbb{I}$). Obviously, the strong assumption of \mathcal{M} being left closed automatically guarantees the existence of left internal hom functor for any object; however, this is not the case of our interest.

COROLLARY 4.7. *Let (A, m, u) be an Azumaya monoid in \mathcal{M} . Then A is flat, central and the unit $u : \mathbb{I} \rightarrow A$ is a section in \mathcal{M} .*

Proof. The functor $A \otimes - : \mathcal{M} \rightarrow \mathcal{M}$ is clearly the composition of the functor $A \otimes - : \mathcal{M} \rightarrow {}_{A^e}\mathcal{M}$ with the forgetful functor $\mathcal{O} : {}_{A^e}\mathcal{M} \rightarrow \mathcal{M}$, so that it is left exact. Thus A is a flat object.

We know that the unit and the counit

$$\varepsilon_M : A \otimes_{A^e} [A, M] \longrightarrow M, \quad \zeta_X : X \longrightarrow A^e[A, A \otimes X],$$

of the adjunction $A \otimes - : \mathcal{M} \rightleftarrows {}_{A^e}\mathcal{M} : A^e[A, -]$ are natural isomorphisms, for every pair of objects (X, M) in $\mathcal{M} \times {}_{A^e}\mathcal{M}$. Thus, $\zeta_{\mathbb{I}} : \mathbb{I} \rightarrow A^e[A, A]$ is an isomorphism, and so A is central. The retraction of u is given by the following dashed arrow

$$\begin{array}{ccc} A^e[A, A \otimes A] & \xrightarrow{A^e[A, m]} & A^e[A, A] \cong \mathbb{I} \\ \zeta_A \uparrow & \dashrightarrow & \\ A & & \end{array}$$

□

Next we apply the results of Section 3, specially Theorem 3.12, to the case of Azumaya monoid. Most of the assumptions in that Theorem are in fact fulfilled for an Azumaya monoid (A, m, u) . Indeed, from the fact that m splits in ${}_{A^e}\mathcal{M}$, we have that $A|(A \otimes A)$ as in Definition 3.5(2). By Proposition 4.2 and Corollary 4.7, we know that $u_1 : \mathbb{I} \rightarrow {}_1J_1$ is an isomorphism and that A is flat. Henceforth, the only condition on A , which one needs to check is $(A \otimes A)|A$.

However, even under the assumption that \mathcal{Z} is faithful, one can not expect to have for free this last condition, as was given in the classical case of modules over a commutative ring. In our setting, it seems that this condition

depends heavily on the fact that A and A^e should be “progenerators” in the category of A^e -bimodules. To be more precise, as was argued in Remark 4.5, the projectivity of A in ${}_{A^e}\mathcal{M}$ is, for instance, linked to that of \mathbb{I} in \mathcal{M} as the following natural isomorphism shows: $\text{Hom}_{A^e}(A, -) \cong \mathcal{Z} \circ {}_{A^e}[A, -]$; see Appendix B.

Recall from Proposition 1.6 that, for any element $\theta \in \mathcal{G}_{\mathcal{Z}(\mathbb{I})}(\mathcal{Z}(A))$ the group defined in (35), there is, by Propositions 1.3 and 1.6, an isomorphism of left A -modules $f_{\theta J_1} : A \otimes_{\theta} J_1 \rightarrow A$. Considering $A \otimes_{\theta} J_1$ as left A^e -module, we also have ${}_{A^e}[A, A \otimes_{\theta} J_1] \cong {}_{\theta}J_1$ via the unit ζ .

For an element θ as above, we denote by $\tilde{\theta} := \Gamma_{\theta J_1}$ the image of θJ_1 by the morphism of groups Γ stated in Proposition 4.1 (recall here that $i_{\theta J_1} = \mathbf{eq}_{\theta,1}$; see (24)). In this way, to each A -bimodule M , we associate the A -bimodule $M_{\tilde{\theta}}$ whose underlying object is M where the left action is unchanged while the right action is twisted by $\tilde{\theta}$. Precisely, we have $\rho_{M_{\tilde{\theta}}} := \rho_M \circ (M \otimes \tilde{\theta})$, where $\rho_M : M \otimes A \rightarrow M$ is the right structure morphism of M .

Now, given another element $\sigma \in \mathcal{G}_{\mathcal{Z}(\mathbb{I})}(\mathcal{Z}(A))$ and another A -bimodule N , we have two $\mathcal{Z}(\mathbb{I})$ -modules under consideration. Namely, the first one is $\mathcal{M}_{A,\mathcal{Z}(A)}(M_{\theta}, N_{\sigma})$ defined in the same way as in Section 3.2, and the other is the module of A -bimodules morphisms $\text{Hom}_{A,A}(M_{\tilde{\theta}}, N_{\tilde{\sigma}})$.

PROPOSITION 4.8. *Let (A, m, u) be an Azumaya monoid in \mathcal{M} . Consider elements $\theta, \sigma \in \mathcal{G}_{\mathcal{Z}(\mathbb{I})}(\mathcal{Z}(A))$ and their respective associated images $\tilde{\theta}, \tilde{\sigma} \in \text{Aut}_{\text{alg}}(A)$. Assume that the functor \mathcal{Z} is faithful. Then*

- (i) *For every $t \in \mathcal{Z}(A)$, we have $\mathcal{Z}(\tilde{\theta})(t) = \Phi_{\theta J_1}(t) = \theta(t)$, that is, $\mathcal{Z}(\tilde{\theta}) = \theta$.*
- (ii) *The homomorphism of groups ω stated in Corollary 3.11 is surjective.*
- (iii) *There is an equality $\text{Hom}_{A,A}(A_{\tilde{\theta}}, A_{\tilde{\sigma}}) = \mathcal{M}_{A,\mathcal{Z}(A)}(A_{\theta}, A_{\sigma})$.*

Proof. By Corollary 4.7, we know that A is central, hence $\mathbb{I} \cong {}_1J_1$ by Proposition 4.2(iv).

(i) It is a direct consequence of Proposition 4.1 and Theorem 3.4 (see equation (36)).

(ii) It follows by item (i).

(iii) The direct inclusion follows as in Proposition 3.8(1). Conversely, take an element $f \in \mathcal{M}_{A,\mathcal{Z}(A)}(A_{\theta}, A_{\sigma})$. This element belongs to $\text{Hom}_{A,A}(A_{\tilde{\theta}}, A_{\tilde{\sigma}})$ if and only if

$$(44) \quad m \circ (f \otimes \tilde{\sigma}) = f \circ m \circ (A \otimes \tilde{\theta}).$$

By the equalities $m \circ (f \otimes \sigma(t)) = f \circ m \circ (A \otimes \theta(t))$, $t \in \mathcal{Z}(A)$ derived from the definition of f , we have, using part (i), that

$$m \circ (f \otimes \tilde{\sigma}) \circ (A \otimes t) = f \circ m \circ (A \otimes \tilde{\theta}) \circ (A \otimes t),$$

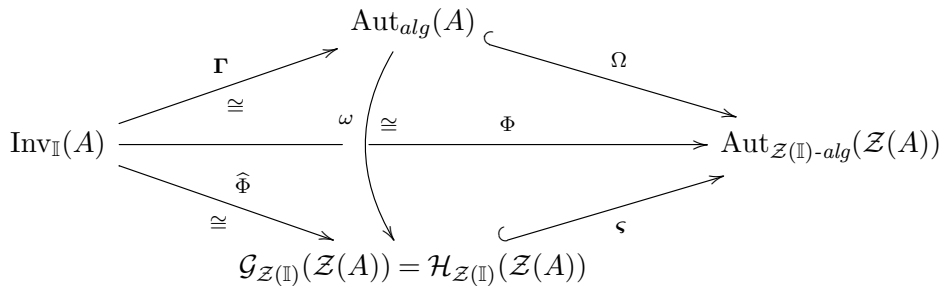
for every $t \in \mathcal{Z}(A)$. Using these equalities and the fact that \mathbb{I} is a generator we are able to show that $m \circ (f \otimes \tilde{\sigma}) \circ (A \otimes \pi_A) = f \circ m \circ (A \otimes \tilde{\theta}) \circ (A \otimes \pi_A)$, where $\pi_A : \mathbb{I}^{(A)} \rightarrow A$ is the canonical epimorphism. Now, equality (44) follows since $A \otimes \pi_A$ is an epimorphism, which completes the proof. \square

Now, with notations as in Definition 3.5, we set

$$\mathcal{H}_{\mathcal{Z}(\mathbb{I})}(\mathcal{Z}(A)) := \left\{ \theta \in \text{Aut}_{\mathcal{Z}(\mathbb{I})\text{-alg}}(\mathcal{Z}(A)) \mid A_\theta \sim A_1 \right\}.$$

Using Proposition 3.8(7), we easily check that this is a subgroup of $\text{Aut}_{\mathcal{Z}(\mathbb{I})\text{-alg}}(\mathcal{Z}(A))$. Now, it is clear from Corollary 3.7, that under the assumptions of A being Azumaya and $u_1 : \mathbb{I} \rightarrow {}_1J_1$ is an isomorphism, we have an inclusion $\mathcal{H}_{\mathcal{Z}(\mathbb{I})}(\mathcal{Z}(A)) \subseteq \mathcal{G}_{\mathcal{Z}(\mathbb{I})}(\mathcal{Z}(A))$ of groups.

COROLLARY 4.9. *Let (A, m, u) be an Azumaya monoid in \mathcal{M} such that $A \otimes A \mid A$. Assume that the functor \mathcal{Z} is faithful. Then the maps ω and Γ are bijective so that we have the following commutative diagram*



of homomorphisms of groups.

Proof. The map ω is bijective since by Proposition 4.8(ii) it is surjective and it is injective as \mathcal{Z} is faithful. We know from Proposition 4.1, that $\Omega \circ \Gamma = \Phi$. Therefore, Theorem 3.4 implies that $\varsigma \circ \omega \circ \Gamma = \varsigma \circ \hat{\Phi}$, and so $\omega \circ \Gamma = \hat{\Phi}$ which implies that Γ is bijective as well. Lastly, the inclusion $\mathcal{G}_{\mathcal{Z}(\mathbb{I})}(\mathcal{Z}(A)) \subseteq \mathcal{H}_{\mathcal{Z}(\mathbb{I})}(\mathcal{Z}(A))$ is deduced from Proposition 4.8(i) in combination with Theorem 3.10. \square

§5. Application to the category of comodules over a flat Hopf algebroid

All Hopf algebroids which will be considered here are commutative and flat over the base ring, for the axiomatic definitions and basic properties, we refer the reader to [28, Appendix 1].

Let (R, H) be a commutative Hopf algebroid with base ring R and structure maps $s, t : R \rightarrow H$, $\varepsilon : H \rightarrow R$, $\Delta : H \rightarrow H \otimes_R H$ and $\mathcal{S} : H \rightarrow H$. An H -comodule stands for right H -comodule, we denote the category of H -comodules by Comod_H . It is well-known, see for instance [5] or [14], that any H -comodule P whose underlying R -module is finitely generated and projective is a dualizable object in the monoidal category of comodules with dual the R -module $P^* = \text{Hom}_R(P, R)$. The comodule structure of P^* is given by

$$P^* \rightarrow P^* \otimes_R H, \quad \left\{ \varphi \mapsto e_i^* \otimes_R t(\varphi(e_{i,0}))\mathcal{S}(e_{i,1}) \right\},$$

where $\{e_i, e_i^*\}$ is a dual basis for P_R and $\varrho_P(p) = p_0 \otimes_R p_1$ is the H -coaction of P (the summation is understood). Notice that the converse also holds true which means that any dualizable object in Comod_H is a finitely generated and projective R -module. This is due to the fact that the forgetful functor $\text{Comod}_H \rightarrow \text{Mod}_R$ is a strict monoidal functor and the unit object in Comod_H is $R[1]$, that is R with structure of comodule given by the grouplike element 1_H , via the target map $t : R \rightarrow H \cong R \otimes_R H$.

Next we want to apply the results of Section 4.3 to the category of comodules Comod_H . Observe that this category is a symmetric monoidal Grothendieck category with respect to the canonical flip over R , where the tensor product is right exact on both factors. Moreover, the forgetful functor $\text{Comod}_H \rightarrow \text{Mod}_R$ is faithful and exact. So the category Comod_H fits in the context of that subsection.

In the previous notations, the functor \mathcal{Z} is identified with $\mathcal{Z}(M) = M^{\text{co}(H)}$, for an H -comodule M , where

$$M^{\text{co}(H)} := \{m \in M \mid \varrho_M(m) = m \otimes_R 1\}$$

is the submodule of coinvariant elements. Therefore, the condition that $R[1]$ is a generator in Comod_H , means that the submodule of coinvariant elements $M^{\text{co}(H)}$ is not zero, for every right H -comodule M . For simplicity we denote by $R^{\text{co}(H)} := (R[1])^{\text{co}(H)}$ the subalgebra of R of coinvariant elements, which is explicitly given by $R^{\text{co}(H)} = \{r \in R \mid s(r) = t(r)\}$.

LEMMA 5.1. *Let A be an H -comodule with coaction $\varrho_A : A \rightarrow A \otimes_R H$. Then A admits a structure of monoid in \mathbf{Comod}_H if and only if ϱ_A is a morphism of R -algebras, where H is considered as an R -algebra via its source map s .*

Proof. Straightforward. □

We refer to such an object as an H -comodule R -algebra.

COROLLARY 5.2. *Let A be an Azumaya H -comodule R -algebra.*

- (i) *If A is finitely generated and projective R -module, then A is an Azumaya R -algebra.*
- (ii) *If the underlying comodule of A is a direct summand of finite products of copies of $R[1]$, then $A^{\text{co}(H)}$ is an Azumaya $R^{\text{co}(H)}$ -algebra.*

Proof. (i) Since A is a dualizable H -comodule, the right adjoint of the functor $A \otimes - : \mathbf{Comod}_H \rightarrow \mathbf{Comod}_H$ is given by the functor $[A, -] \cong - \otimes_R A^*$ defined using the tensor product of two H -comodules. Using this adjunction and equation (41), we can show that the underlying R -algebra of the H -comodule algebra ${}_{A^e}[A, A]$ coincides with the centre of the underlying R -algebra of A . Therefore, the centre of A coincides with $R \cong {}_{A^e}[A, A]$ as A is a central H -comodule R -algebra. From this we conclude that A is a central separable R -algebra, that is, an Azumaya R -algebra.

(ii) It follows directly from Proposition 4.6, since A is a dualizable comodule. □

EXAMPLE 5.3. Assume that $R[1]$ is a projective H -comodule and take P an H -comodule such that P_R is finitely generated and projective module. Consider in a canonical way $\text{End}_R(P) \cong [P, P]$ as an H -comodule R -algebra. Assume that the evaluation map $P \otimes_{\text{End}_R(P)} P^* \rightarrow R[1]$ is an isomorphism of H -comodules. Since $R[1]$ is projective this isomorphism implies that P is a progenerator in \mathbf{Comod}_H in the sense of [26, page 113] whence, by [26, Theorem 14], $\text{End}_R(P)$ is an Azumaya H -comodule R -algebra.

EXAMPLE 5.4. Assume that (R, H) is a split Hopf algebroid, that is $H = R \otimes_{\mathbb{K}} B$, where B is a flat commutative Hopf algebra over a ground commutative ring \mathbb{K} and R is a (right) B -comodule commutative \mathbb{K} -algebra. Let A be an Azumaya H -comodule R -algebra which finitely generated and projective as an R -module. Then, by Corollary 5.2(i), A is an Azumaya R -algebra. If $R = \mathbb{K}$, then A is in particular an B -comodule Azumaya algebra in the sense of [6, page 328].

The fact that A is an H -comodule R -algebra leads to different groups so far treated here. On the one hand, we have $\text{Inv}_R(A)$ and $\text{Aut}_{R\text{-alg}}(A)$, where A is considered as an R -algebra that is a monoid in the category of R -modules. On the other hand, we have $\text{Inv}_R^H(A)$ and $\text{Aut}_{R\text{-alg}}^H(A)$, where A is considered as a monoid in the category of H -comodules. Obviously we have the following inclusions of groups

$$\text{Inv}_R^H(A) \subseteq \text{Inv}_R(A), \quad \text{Aut}_{R\text{-alg}}^H(A) \subseteq \text{Aut}_{R\text{-alg}}(A).$$

By a direct application of Corollary 4.9, we obtain the following.

COROLLARY 5.5. *Let A be an Azumaya H -comodule R -algebra such that $A \otimes_R A|A$ simultaneously in the category of H -comodules and of A -bimodules. Assume that $R[1]$ is a generator in Comod_H . Then there is an isomorphism of groups*

$$\text{Inv}_R^H(A) \cong \text{Aut}_{R\text{-alg}}^H(A).$$

REMARK 5.6. Consider an Azumaya H -comodule R -algebra A which is finitely generated and projective as R -module. One can expect to deduce Corollary 5.5 directly by using Corollary 5.2(i) in conjunction with [23, Corollary of Theorem 1.4]. This could be so simple if one succeeds to show, for instance, that the following diagram is commutative

$$\begin{array}{ccc} \text{Inv}_R^H(A) & \xrightarrow{\psi} & \text{Aut}_{R\text{-alg}}^H(A) \\ \downarrow & & \downarrow \\ \text{Inv}_R(A) & \xrightarrow{\varphi} & \text{Aut}_{R\text{-alg}}(A) \end{array}$$

where the map ψ is the isomorphism of Corollary 5.5 while φ is the isomorphism of [23, page 100] which for any element $X \in \text{Inv}_R(A)$ with inverse Y and decomposition of unit $1_R = \sum_i x_i y_i$ ($x_i \in X, y_i \in Y$), the associated automorphism is given by $\varphi_X(a) = \sum_i x_i a y_i$, for any $a \in A$. That is, to show that the map ψ is the restriction of φ . However this is not clear at all. Or perhaps by showing that the map φ_X is H -colinear whenever X belongs to the subgroup $\text{Inv}_R^H(A)$. This is also not clear at all. In any case, both ways will only lead to the injectivity and one has to check the surjectivity which is perhaps much more complicated by using elementary methods.

Acknowledgments. The authors would like to thank Claudia Menini for helpful discussions on a preliminary version of the paper. They are also grateful to the referee for carefully reading the manuscript and for several useful comments. L. El Kaoutit would like to thank all the members of the Department of Mathematics of University of Ferrara for a warm hospitality during his visit.

Appendix A. More results on invertible and dualizable bimodules

In all this appendix $(\mathcal{M}, \otimes, \mathbb{I}, l, r)$ will be a Penrose monoidal abelian, locally small and bicomplete category, where tensor products are right exact on both factors. Let $(A, m_A, u_A), (R, m_R, u_R), (S, m_S, u_S)$ be monoids in \mathcal{M} with two morphisms of monoids $\alpha : R \rightarrow A \leftarrow S : \beta$. In the sequel, we will use the notation of Section 1.

A.1 From right dualizable datum to right inverse

This subsection is devoted to discuss the converse of Proposition 1.3, that is, trying to give conditions under which a right invertible sub-bimodule can be extracted from a right dualizable datum in the sense of Definition 1.2.

The following corollary is complementary to Proposition 1.6.

COROLLARY A.1. *If in Proposition 1.6, we assume ev and $coev$ are isomorphisms, then so are the following morphisms*

$$f_Y := m_A^R \circ (i_Y \otimes_R A) : Y \otimes_R A \rightarrow A,$$

$$g_X := m_A^R \circ (A \otimes_R i_X) : A \otimes_R X \rightarrow A.$$

Proof. Since $(X, Y, ev, coev)$ is a right dualizable datum then $(Y, X, (coev)^{-1}, (ev)^{-1})$ is a right dualizable datum. By Proposition 1.6, we get that f_Y and g_X are isomorphisms too. □

PROPOSITION A.2. *Consider a right dualizable datum $(X, Y, ev, coev)$ which satisfies equations (8) and (9). Assume that g_X is an isomorphism and the functor $A \otimes_R (-) : {}_R\mathcal{M} \rightarrow {}_A\mathcal{M}$ is faithful. Then X is a two-sided invertible sub-bimodule.*

Proof. By Proposition 1.6, g_Y is an isomorphism with inverse

$$g_Y^{-1} = (m_A^R \otimes_S Y) \circ (A \otimes_R i_X \otimes_S Y) \circ (A \otimes_R coev) \circ (r_A^R)^{-1}$$

$$= (g_X \otimes_S Y) \circ (A \otimes_R coev) \circ (r_A^R)^{-1},$$

Therefore, we get that

$$A \otimes_R \text{coev} = \left((g_X)^{-1} \otimes_S Y \right) \circ g_Y^{-1} \circ r_A^R$$

is an isomorphism. Hence, since the functor $A \otimes_R (-)$ is faithful, then coev is an epimorphism as well as a monomorphism, so that it is an isomorphism. By (5), we have

$$r_X^S \circ (X \otimes_S \text{ev}) \circ (\text{coev} \otimes_R X) \circ (l_X^R)^{-1} = \text{Id}_X.$$

Since coev is an isomorphism, we get that $X \otimes_S \text{ev}$ is an isomorphism too. Now, from the equality

$$(g_X \otimes_S S) \circ (A \otimes_R X \otimes_S \text{ev}) = (A \otimes_S \text{ev}) \circ (g_X \otimes_S Y \otimes_R X)$$

we deduce that $A \otimes_S \text{ev}$ is an isomorphism. Therefore, we conclude as above that ev is an isomorphism. □

A.2 Base change and dualizable datum

Keep the notation of Section 1, and assume that α, β are monomorphisms in \mathcal{M} . The main aim here is to prove that an (R, S) -bimodule X such that $X \otimes_S A \cong A$ and which fits into a right dualizable datum admits a right inverse if we change the ring R by a suitable extension R' of it. First we need to prove the following technical result.

PROPOSITION A.3. *Let $(X, Y, \text{ev}, \text{coev})$ be a right dualizable datum (Definition 1.2) such that $Y \in \mathcal{P}({}_S A_R)$ and $X \in \mathcal{P}({}_R A_S)$. Assume that the morphism $f_X = m_A^S \circ (i_X \otimes_S A) : X \otimes_S A \rightarrow A$ is an isomorphism. Define*

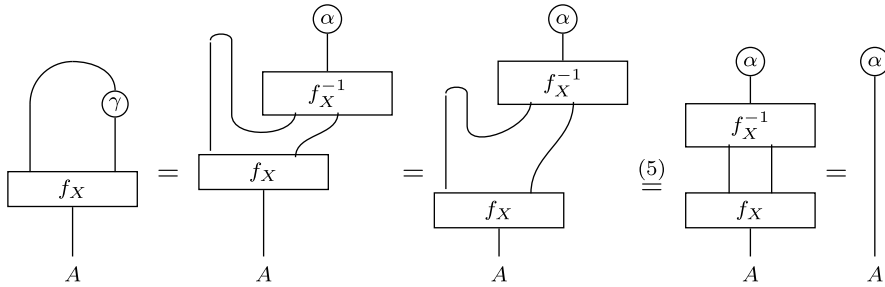
$$\gamma := \left(Y \xrightarrow{(r_Y^R)^{-1}} Y \otimes_R R \xrightarrow{Y \otimes_R \alpha} Y \otimes_R A \xrightarrow{Y \otimes_R f_X^{-1}} Y \otimes_R X \otimes_S A \xrightarrow{\text{ev} \otimes_S A} S \otimes_S A \xrightarrow{l_A^S} A \right).$$

Then

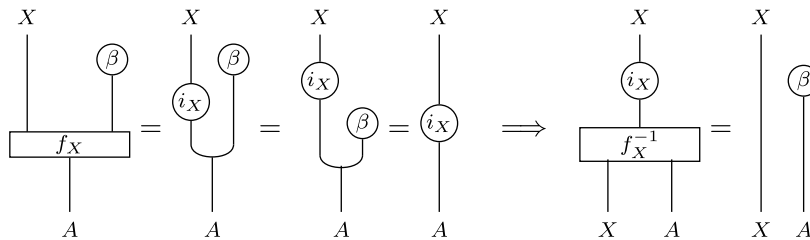
$$(A1) \quad f_X \circ (X \otimes_S \gamma) \circ \text{coev} = \alpha \quad (\text{i.e., } m_A^S \circ (i_X \otimes_S \gamma) \circ \text{coev} = \alpha),$$

$$(A2) \quad m_A^R \circ (\gamma \otimes_R i_X) = \beta \circ \text{ev}.$$

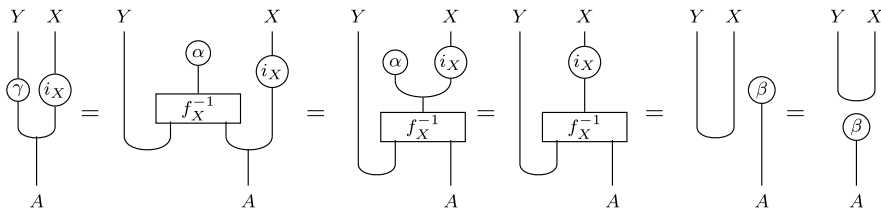
Proof. Using the diagrammatic convention of Section 1, we have



which gives equality (A1). On the other hand, we have



Using this equality and the fact that f_X^{-1} is right A -linear (being the inverse of a right A -linear morphism) we compute



which gives the desired equality (A2). □

Next result extends a result by Miyashita, see [23, Proposition 1.1, implication (ii) implies (i)].

THEOREM A.4. *Keep the assumptions and notations of Proposition A.3. Let $(Y', i_{Y'} : Y' \rightarrow A) := \text{Im}(\gamma)$ be the image of γ in (S, R) -bimodules, and let $(R', \alpha' : R' \rightarrow A) := \text{Im}(m'_X)$ be the image of m'_X in (R, R) -bimodules, where*

$$m'_X := \left(X \otimes_S Y' \xrightarrow{X \otimes_S i_{Y'}} X \otimes_S A \xrightarrow{f_X} A \right) = \left(X \otimes_S Y' \xrightarrow{i_X \otimes_S i_{Y'}} A \otimes_S A \xrightarrow{m_A^S} A \right).$$

Denote by $p_{Y'} : Y \rightarrow Y'$ the canonical projection so that $\gamma = i_{Y'} \circ p_{Y'}$. Similarly denote by $m_X : X \otimes_S Y' \rightarrow R'$ the canonical projection such that $\alpha' \circ m_X = m'_X$. Then

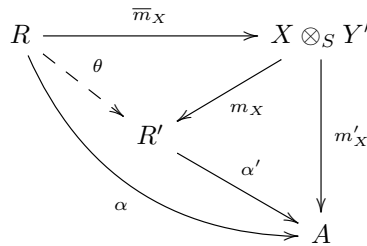
- (1) R' is a monoid in (R, R) -bimodules such that $\alpha' : R' \rightarrow A$ is a morphism of monoids therein;
- (2) $X \in \mathcal{P}(R'A_S)$ has a right inverse given by $Y' \in \mathcal{P}(SAR')$.

Proof. Unfortunately it not possible to present here a smart proof using diagrammatic notation, since we are dealing with different type of multiplications $m'_X, m_X, \overline{m_X}$ and it could be difficult to distinguish them properly.

(1) Set $\overline{m_X} := (X \otimes_S p_{Y'}) \circ \text{coev} : R \rightarrow X \otimes_S Y'$ and $\theta := m_X \circ \overline{m_X}$. Note that

$$\begin{aligned} \alpha' \circ \theta &= \alpha' \circ m_X \circ \overline{m_X} = m'_X \circ \overline{m_X} = f_X \circ (X \otimes_S i_{Y'}) \circ (X \otimes_S p_{Y'}) \circ \text{coev} \\ &= f_X \circ (X \otimes_S \gamma) \circ \text{coev} \stackrel{(45)}{=} \alpha. \end{aligned}$$

so that $\alpha' \circ \theta = \alpha$. Hence we have a commutative diagram



So the unit of R' is $\theta \circ u_R$. The construction of the multiplication is more involved. Let $(Q, i_Q : Q \rightarrow Y)$ be the kernel of $p_{Y'}$. Tensoring by X on the right we get the exact sequence

$$Q \otimes_R X \xrightarrow{i_Q \otimes_R X} Y \otimes_R X \xrightarrow{p_{Y'} \otimes_R X} Y' \otimes_R X \longrightarrow 0.$$

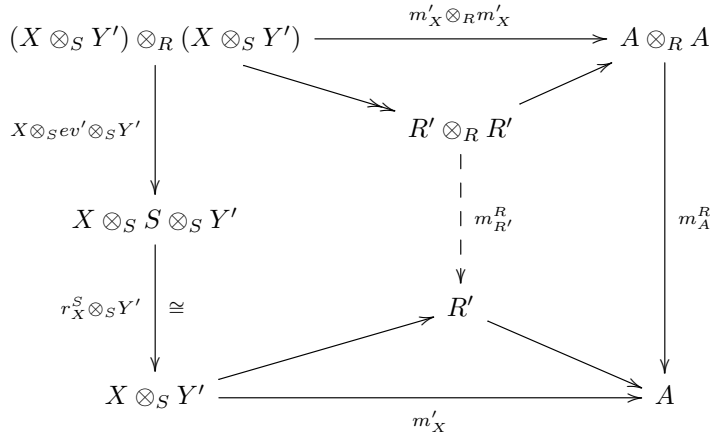
We then have

$$\begin{aligned} \beta \circ \text{ev} \circ (i_Q \otimes_R X) &\stackrel{(46)}{=} m_A^R \circ (\gamma \otimes_R i_X) \circ (i_Q \otimes_R X) \\ &= m_A^R \circ (i_{Y'} \otimes_R i_X) \circ (p_{Y'} \otimes_R X) \circ (i_Q \otimes_R X) = 0. \end{aligned}$$

Since β is a monomorphism we get $\text{ev} \circ (i_Q \otimes_R X) = 0$ so that there is a morphism of S -bimodules $\text{ev}' : Y' \otimes_R X \rightarrow S$ such that

$$(A3) \quad \text{ev}' \circ (p_{Y'} \otimes_R X) = \text{ev}.$$

Let us check that there is a morphism $m_{R'}^R$ which turns the following diagram commutative



On the one hand we have

$$\begin{aligned}
 & m'_X \circ ((r_X^S \circ (X \otimes_S \text{ev}')) \otimes_S Y') \circ (X \otimes_S p_{Y'} \otimes_R X \otimes_S Y') \\
 & \stackrel{(47)}{=} m'_X \circ ((r_X^S \circ (X \otimes_S \text{ev})) \otimes_S Y').
 \end{aligned}$$

Since $X \otimes_S p_{Y'} \otimes_R X \otimes_S Y'$ is an epimorphism, it suffice to check that

$$\begin{aligned}
 & m'_X \circ ((r_X^S \circ (X \otimes_S \text{ev})) \otimes_S Y') \\
 & = m_A^R \circ (m'_X \otimes_R m'_X) \circ (X \otimes_S p_{Y'} \otimes_R X \otimes_S Y'),
 \end{aligned}$$

which follows from definitions by using equation (A2). From this, one proves that $m_A^R \circ (\alpha' \otimes_R \alpha')$ factors through a map $m_{R'}^R$ (R' is a kernel) such that $\alpha' \circ m_{R'}^R = m_A^R \circ (\alpha' \otimes_R \alpha')$. We have

$$\begin{aligned}
 \alpha' \circ m_{R'}^R \circ (m_{R'}^R \otimes_R R') &= m_A^R \circ (\alpha' \otimes_R \alpha') \circ (m_{R'}^R \otimes_R R') \\
 &= m_A^R \circ (m_A^R \otimes_R A) \circ (\alpha' \otimes_R \alpha' \otimes_R \alpha') \\
 &= m_A^R \circ (A \otimes_R m_A^R) \circ (\alpha' \otimes_R \alpha' \otimes_R \alpha') \\
 &= \alpha' \circ m_{R'}^R \circ (R' \otimes_R m_{R'}^R),
 \end{aligned}$$

$$\begin{aligned} \alpha' \circ m_{R'}^R \circ (\theta \otimes_R R') &= m_A^R \circ (\alpha' \otimes_R \alpha') \circ (\theta \otimes_R R') \\ &= m_A^R \circ (\alpha \otimes_R A) \circ (R \otimes_R \alpha') \\ &= l_A^R \circ (R \otimes_R \alpha') = \alpha' \circ l_{R'}^R \end{aligned}$$

and hence $m_{R'}^R \circ (\theta \otimes_R R') = l_{R'}^R$. Similarly $\alpha' \circ m_{R'}^R \circ (R' \otimes_R \theta) = \alpha' \circ r_{R'}^R$. Since α' is a monomorphism we conclude that $m_{R'}^R$ is associative and unitary.

(2) We have to prove that $X \in \mathcal{P}(R'A_S)$. First, let (K, i_K) be the kernel of m'_X . By definition of m_X we have the exact sequence

$$(A4) \quad 0 \longrightarrow K \xrightarrow{i_K} X \otimes_S Y' \xrightarrow{m_X} R' \longrightarrow 0.$$

and hence

$$K \otimes_R X \xrightarrow{i_K \otimes_R X} X \otimes_S Y' \otimes_R X \xrightarrow{m_X \otimes_R X} R' \otimes_R X \longrightarrow 0.$$

Now, using the unitality of m_A^S , the definitions of the morphisms involved and equation (A2), we get

$$\begin{aligned} i_X \circ r_X^S \circ (X \otimes_S \text{ev}') \circ (X \otimes_S p_{Y'} \otimes_R X) \\ = m_A^S \circ (A \otimes_S m_A^R) \circ (i_X \otimes_S i_{Y'} p_{Y'} \otimes_R i_X) \end{aligned}$$

so that

$$\begin{aligned} i_X \circ r_X^S \circ (X \otimes_S \text{ev}') &= m_A^S \circ (A \otimes_S m_A^R) \circ (i_X \otimes_S i_{Y'} \otimes_R i_X) \\ &= m_A^R \circ (m_A^S \otimes_R A) \circ (i_X \otimes_S i_{Y'} \otimes_R i_X) \\ &= m_A^R \circ (m'_X \otimes_R i_X). \end{aligned}$$

Hence

$$(A5) \quad i_X \circ r_X^S \circ (X \otimes_S \text{ev}') = m_A^R \circ (m'_X \otimes_R i_X).$$

Therefore,

$$i_X \circ r_X^S \circ (X \otimes_S \text{ev}') \circ (i_K \otimes_R X) = m_A^R \circ (m'_X \otimes_R i_X) \circ (i_K \otimes_R X) = 0$$

and so $r_X^S \circ (X \otimes_S \text{ev}') \circ (i_K \otimes_R X) = 0$. By exactness of the last sequence displayed above, there is a morphism $\mu_X^{R'} : R' \otimes_R X \rightarrow X$ such that $\mu_X^{R'} \circ$

$(m_X \otimes_R X) = r_X^S \circ (X \otimes_S \text{ev}')$. Let us check it is unitary. First, we have

$$\begin{aligned} i_X \circ \mu_X^{R'} \circ (m_X \otimes_R X) &= i_X \circ r_X^S \circ (X \otimes_S \text{ev}') \stackrel{(49)}{=} m_A^R \circ (m'_X \otimes_R i_X) \\ &= m_A^R \circ (\alpha' \otimes_R i_X) \circ (m_X \otimes_R X). \end{aligned}$$

Since $m_X \otimes_R X$ is an epimorphism, we obtain

$$(A6) \quad i_X \circ \mu_X^{R'} = m_A^R \circ (\alpha' \otimes_R i_X).$$

We get

$$\begin{aligned} i_X \circ \mu_X^{R'} \circ (\theta \otimes_R X) &\stackrel{(50)}{=} m_A^R \circ (\alpha' \otimes_R i_X) \circ (\theta \otimes_R X) \\ &= m_A^R \circ (\alpha \otimes_R A) \circ (R \otimes_R i_X) \\ &= l_A^R \circ (R \otimes_R i_X) = i_X \circ l_X^R \end{aligned}$$

and hence $\mu_X^{R'} \circ (\theta \otimes_R X) = l_X^R$. Let us check that $\mu_X^{R'}$ is associative:

$$\begin{aligned} i_X \circ \mu_X^{R'} \circ (R' \otimes_R \mu_X^{R'}) &\stackrel{(50)}{=} m_A^R \circ (\alpha' \otimes_R i_X) \circ (R' \otimes_R \mu_X^{R'}) \\ &\stackrel{(50)}{=} m_A^R \circ (A \otimes_R m_A^R) \circ (\alpha' \otimes_R \alpha' \otimes_R i_X) \\ &= m_A^R \circ (m_A^R \otimes_R A) \circ (\alpha' \otimes_R \alpha' \otimes_R i_X) \\ &= m_A^R \circ (\alpha' \otimes_R i_X) \circ (m_{R'}^R \otimes_R X) \\ &\stackrel{(50)}{=} i_X \circ \mu_X^{R'} \circ (m_{R'}^R \otimes_R X) \end{aligned}$$

so that $\mu_X^{R'} \circ (R' \otimes_R \mu_X^{R'}) = \mu_X^{R'} \circ (m_{R'}^R \otimes_R X)$. The properties we proved imply that $(X, i_X) \in \mathcal{P}(R'AS)$.

Next aim is to check that $Y' \in \mathcal{P}(SA_{R'})$ and it is a right inverse of X . We need a morphism $\mu_{Y'}^{R'} : Y' \otimes_R R' \rightarrow Y'$. Consider again the exact sequence (A4) and the induced one

$$Y' \otimes_R K \xrightarrow{Y' \otimes_R i_K} Y' \otimes_R X \otimes_S Y' \xrightarrow{Y' \otimes_R m_X} Y' \otimes_R R' \longrightarrow 0.$$

As before using the unitality of m_A^S , the definitions of the morphisms involved and equation (A2), we get

$$\begin{aligned} i_{Y'} \circ l_{Y'}^S \circ (\text{ev}' \otimes_S Y') &\circ (p_{Y'} \otimes_R X \otimes_S Y') \\ &= m_A^S \circ (m_A^R \otimes_S A) \circ (i_{Y'} p_{Y'} \otimes_R i_X \otimes_S i_{Y'}) \end{aligned}$$

and hence

$$\begin{aligned} i_{Y'} \circ l_Y^S \circ (\text{ev}' \otimes_S Y') &= m_A^S \circ (m_A^R \otimes_S A) \circ (i_{Y'} \otimes_R i_X \otimes_S i_{Y'}) \\ &= m_A^R \circ (A \otimes_R m_A^S) \circ (i_{Y'} \otimes_R i_X \otimes_S i_{Y'}) \\ &= m_A^R \circ (i_{Y'} \otimes_R m'_X). \end{aligned}$$

Thus we get

$$i_{Y'} \circ l_Y^S \circ (\text{ev}' \otimes_S Y') = m_A^R \circ (i_{Y'} \otimes_R m'_X).$$

Coming back to the exact sequence, we compute

$$i_{Y'} \circ l_Y^S \circ (\text{ev}' \otimes_S Y') \circ (Y' \otimes_R i_K) \stackrel{(51)}{=} m_A^R \circ (i_{Y'} \otimes_R m'_X) \circ (Y' \otimes_R i_K) = 0.$$

Therefore, there is a unique morphism $\mu_{Y'}^{R'} : Y' \otimes_R R' \rightarrow Y'$ such that $\mu_{Y'}^{R'} \circ (Y' \otimes_R m_X) = l_Y^S \circ (\text{ev}' \otimes_S Y')$. Using this equality we compute

$$\begin{aligned} i_{Y'} \circ \mu_{Y'}^{R'} \circ (Y' \otimes_R m_X) &= i_{Y'} \circ l_Y^S \circ (\text{ev}' \otimes_S Y') \stackrel{(51)}{=} m_A^R \circ (i_{Y'} \otimes_R m'_X) \\ &= m_A^R \circ (i_{Y'} \otimes_R \alpha') \circ (Y' \otimes_R m_X). \end{aligned}$$

Since $Y' \otimes_R m_X$ is an epimorphism, we obtain

$$(A7) \quad i_{Y'} \circ \mu_{Y'}^{R'} = m_A^R \circ (i_{Y'} \otimes_R \alpha').$$

Using this formula, as above, one proves that $\mu_{Y'}^{R'}$ is unitary and associative and hence $Y' \in \mathcal{P}(SAR')$.

Let us check that Y' is a right inverse for X . Consider the coequalizer

$$Y' \otimes_R R' \otimes_R X \begin{array}{c} \xrightarrow{\mu_{Y'}^{R'} \otimes_R X} \\ \xrightarrow{Y' \otimes_R \mu_X^{R'}} \end{array} Y' \otimes_R X \xrightarrow{Y' \otimes_{\theta} X} Y' \otimes_{R'} X \longrightarrow 0.$$

We have

$$\begin{aligned} \text{ev}' \circ \left(\mu_{Y'}^{R'} \otimes_R X \right) \circ (Y' \otimes_R m_X \otimes_R X) &= \text{ev}' \circ (l_Y^S \otimes_R X) \circ (\text{ev}' \otimes_S Y' \otimes_R X) \\ &= \text{ev}' \circ l_{Y' \otimes_R X}^S \circ (\text{ev}' \otimes_S Y' \otimes_R X) \\ &= l_S^S \circ (S \otimes_S \text{ev}') \circ (\text{ev}' \otimes_S Y' \otimes_R X) \end{aligned}$$

$$\begin{aligned}
 &= r_S^S \circ (\text{ev}' \otimes_S S) \circ (Y' \otimes_R X \otimes_S \text{ev}') \\
 &= \text{ev}' \circ r_{Y' \otimes_R X}^S \circ (Y' \otimes_R X \otimes_S \text{ev}') \\
 &= \text{ev}' \circ (Y' \otimes_R r_X^S) \circ (Y' \otimes_R X \otimes_S \text{ev}') \\
 &= \text{ev}' \circ (Y' \otimes_R \mu_X^{R'}) \circ (Y' \otimes_R m_X \otimes_R X)
 \end{aligned}$$

so that $\text{ev}' \circ (\mu_{Y'}^{R'} \otimes_R X) = \text{ev}' \circ (Y' \otimes_R \mu_X^{R'})$ and hence there exists $m_{Y'} : Y' \otimes_{R'} X \rightarrow S$ such that $m_{Y'} \circ (Y' \otimes_{\theta} X) = \text{ev}'$. Therefore,

$$\begin{aligned}
 &\beta \circ m_{Y'} \circ (Y' \otimes_{\theta} X) \circ (p_{Y'} \otimes_R X) \\
 &= \beta \circ \text{ev}' \circ (p_{Y'} \otimes_R X) = \beta \circ \text{ev} \\
 &\stackrel{(46)}{=} m_A^R \circ (\gamma \otimes_R i_X) = m_A^R \circ (i_{Y'} \otimes_R i_X) \circ (p_{Y'} \otimes_R X) \\
 &= m_A^{R'} \circ (A \otimes_{\theta} A) \circ (i_{Y'} \otimes_R i_X) \circ (p_{Y'} \otimes_R X) \\
 &= m_A^{R'} \circ (i_{Y'} \otimes_{R'} i_X) \circ (Y' \otimes_{\theta} X) \circ (p_{Y'} \otimes_R X)
 \end{aligned}$$

and hence $\beta \circ m_{Y'} = m_A^{R'} \circ (i_{Y'} \otimes_{R'} i_X)$. Moreover, $\alpha' \circ m_X = m'_X = m_A^S \circ (i_X \otimes_S i_{Y'})$.

It remains to check that m_X is an isomorphism. It is an epimorphism by construction. Since $\alpha' \circ m_X = m'_X$ and α' is a monomorphism by construction, we have that m_X is a monomorphism if and only if m'_X is. Now $m'_X = f_X \circ (X \otimes_S i_{Y'})$ and f_X is an isomorphism by assumption. Thus m'_X is a monomorphism if and only if $X \otimes_S i_{Y'}$ is a monomorphism. Since by Proposition 1.4, we know that the functor $X \otimes_S (-)$ is a right adjoint, hence $X \otimes_S i_{Y'}$ is a monomorphism. Thus m_X is both an epimorphism and a monomorphism and hence it is an isomorphism, and this completes the proof. □

Appendix B. Internals hom for modules and bimodules in monoidal categories

In this appendix we show the main steps to construct the internal homs functors which were implicitly used in Sections 4.2 and 4.3. To this aim, consider a symmetric monoidal abelian bicomplete category $(\mathcal{M}, \otimes, \mathbb{I})$ with right exact tensor products. Let (A, m, u) be a monoid in \mathcal{M} and denote by $A^e := A \otimes A^o$ its enveloping monoid, where A^o is the opposite monoid. Assume that the functor $A \otimes - : \mathcal{M} \rightarrow \mathcal{M}$ has a right adjoint functor $[A, -] : \mathcal{M} \rightarrow \mathcal{M}$ with unit and counit

$$\varepsilon_Y^A : A \otimes [A, Y] \longrightarrow Y \in \mathcal{M}, \quad \zeta_X^A : \mathcal{M} \ni X \longrightarrow [A, A \otimes X].$$

The functor $[A, -]$ is referred to as the *left internal hom functor*. It is clear that $[A \otimes \cdots \otimes A, -]$ also exists and so is in particular for $[A^e, -]$. We will use similar notation for the unit and counit of the corresponding adjunctions. Given any two objects X, Y in \mathcal{M} , one can define a morphism $[m, X] : [A, X] \rightarrow [A \otimes A, X]$ which naturally turns commutative the following diagram:

$$\begin{array}{ccc}
 \text{Hom}_{\mathcal{M}}(A \otimes A \otimes X, Y) & \xrightarrow[\cong]{\Phi_{X,Y}^{A \otimes A}} & \text{Hom}_{\mathcal{M}}(X, [A \otimes A, Y]) \\
 \uparrow \text{Hom}_{\mathcal{M}}(m \otimes X, Y) & & \uparrow \text{Hom}_{\mathcal{M}}(X, [m, X]) \\
 \text{Hom}_{\mathcal{M}}(A \otimes X, Y) & \xrightarrow[\cong]{\Psi_{X,Y}^A} & \text{Hom}_{\mathcal{M}}(X, [A, Y])
 \end{array}$$

On the other hand, for any object X in \mathcal{M} we can define the following morphism:

$$\begin{array}{ccc}
 [A, X] & \xrightarrow{\Omega_{A,X}^{A^e}} & [A^e \otimes A, A^e \otimes X] \\
 \searrow \zeta_{[A,X]}^{A^e \otimes A} & & \nearrow [A^e \otimes A, A^e \otimes \epsilon_X^A] \\
 & [A^e \otimes A, A^e \otimes A \otimes [A, X]] &
 \end{array}$$

Clearly $\Omega_{A,-}^{A^e}$ is a natural transformation as a composition of natural transformations.

Now, for every left A^e -module M (i.e., an A -bimodule) with action $\lambda_M : A^e \otimes M \rightarrow M$ we can consider the morphism $\chi_{A,M} := [A^e \otimes A, \lambda_M] \circ \Omega_{A,M}^{A^e}$, and so the following equalizer:

$$0 \longrightarrow A^e[A, M] \xrightarrow{\text{eq}} [A, M] \xrightleftharpoons[\chi_{A,M}]{[m,M]} [A \otimes A, M],$$

which leads to a natural monomorphism $A^e[A, -] \hookrightarrow [A, \mathcal{O}(-)]$, where $\mathcal{O} : A^e\mathcal{M} \rightarrow \mathcal{M}$ is the forgetful functor.

The following result whose proof is similar to that of [24, Proposition 3.10], summarize the relation between the functors constructed above. Indeed, it shows that, if the functor $A \otimes - : \mathcal{M} \rightarrow \mathcal{M}$ has a right adjoint, then so is $A \otimes - : \mathcal{M} \rightarrow A^e\mathcal{M}$.

PROPOSITION B.1. *Let (A, m, u) be a monoid in a symmetric monoidal abelian and bicomplete category $(\mathcal{M}, \otimes, \mathbb{I})$ whose tensor products are right exact. Assume that there is an adjunction $A \otimes - \dashv [A, -]$, where $A \otimes - : \mathcal{M} \rightleftarrows \mathcal{M} : [A, -]$. Then there is a commutative diagram of natural transformations:*

$$\begin{array}{ccc}
 \text{Hom}_{\mathcal{M}}(A \otimes X, M) & \xrightarrow{\Phi_{X, M}^A} & \text{Hom}_{\mathcal{M}}(X, [A, M]) \\
 \uparrow & \cong & \uparrow \\
 \text{Hom}_{A^e}(A \otimes X, M) & \xrightarrow{\Psi_{X, M}^A} & \text{Hom}_{\mathcal{M}}(X, {}_{A^e}[A, M])
 \end{array}$$

where the vertical arrows denote the canonical injections and $X \in \mathcal{M}$, $M \in {}_{A^e}\mathcal{M}$. That is, we have an adjunction $A \otimes - \dashv_{{}_{A^e}} [A, -]$, where $A \otimes - : \mathcal{M} \rightleftarrows {}_{A^e}\mathcal{M} : {}_{A^e}[A, -]$.

REFERENCES

[1] A. Ardizzoni, C. Menini and D. Ştefan, *Hochschild cohomology and ‘smoothness’ in monoidal categories*, J. Pure Appl. Algebra **208** (2007), 297–330.
 [2] M. Auslander, *The Brauer group of a ringed space*, J. Algebra **4** (1966), 220–273.
 [3] M. Auslander and O. Goldman, *The Brauer group of commutative ring*, Trans. Amer. Math. Soc. **97** (1960), 367–409.
 [4] G. Azumaya, *On Maximally central algebras*, Nagoya Math. J. **2** (1951), 119–150.
 [5] A. Bruguières, *Théorie tannakienne non commutative*, Commun. Algebra **22** (1994), 5817–5860.
 [6] S. Caenepeel, *Brauer Groups, Hopf Algebras and Galois Theory*, K-Monographs in Mathematics **4**, Kluwer Academic Publishers, Dordrecht, 1998.
 [7] F. DeMeyer and E. Ingraham, *Separable Algebras Over Commutative Rings*, Lecture Notes in Mathematics **181**, Springer, Berlin–New York, 1971.
 [8] L. EL Kaoutit and J. Gómez-Torrecillas, *Comatrix corings and invertible bimodules*, Ann. Univ. Ferrara - Sez. VII - Sci. Mat. **51** (2005), 263–280.
 [9] H. Fausk, L. G. Lewis Jr and J. P. May., *The Picard group of equivariant stable homotopy theory*, Adv. Math. **163** (2001), 17–33.
 [10] B. Femić, *Some remarks on Morita theory, Azumaya algebras and center of an algebra in braided monoidal categories*, Rev. Un. Mat. Argenti na **1** (2010), 27–50.
 [11] J. Fisher-Palmquist, *The Brauer group of a closed category*, Proc. Amer. Math. Soc. **50**(1) (1975), 61–67.
 [12] J. Gómez-Torrecillas and B. Mesablishvili, *A bicategorical version of Masuoka’s theorem*, Algebr. Represent. Theory **15** (2012), 147–194.
 [13] K. Hirata, *Some types of separable extension of rings*, Nagoya Math. J. **33** (1968), 107–115.

- [14] M. Hovey, “Homotopy theory of comodules over a Hopf algebroid”, in *Homotopy Theory: Relations with Algebraic Geometry, Group Cohomology, and Algebraic K-Theory*, Contemporary Mathematics **346** (eds. Paul Goerss and Stewart Priddy) American Mathematical Society, Providence, RI, 2004, 261–304.
- [15] L. Kadison, *Note on Miyashita-Ulbrich action and H-separable extension*, Hokkaido Math. J. **30**(3) (2001), 689–695.
- [16] L. Kadison, *New Examples of Frobenius Extensions*, University Lecture Series **14**, American Mathematical Society, Providence, RI, 1999.
- [17] L. Kadison and B. Külshammer, *Depth two, normality, and a trace ideal condition for Frobenius extensions*, Commun. Algebra **34**(9) (2006), 3103–3122.
- [18] M. A. Knus and M. Ojanguren, *Théorie de la Descente et Algèbres d’Azumaya*, Lecture Notes in Mathematics **389**, Springer, Berlin–New York, 1974.
- [19] A. Grothendieck, *Le groupe de Brauer: I. Algèbres d’Azumaya et interprétations diverses*, Sémin. N. Bourbaki **290** (1964–1966), 199–219.
- [20] S. Mac Lane, *Categories for the Working Mathematician*, Graduate Texts in Mathematics **5**, Springer, New York–Berlin, 1971.
- [21] A. Masuoka, *Corings and invertible bimodules*, Tsukuba J. Math. **13**(2) (1989), 353–362.
- [22] J. P. May, *Picard groups, Grothendieck rings, and Burnside rings of categories*, Adv. Math. **163**(1) (2001), 1–16.
- [23] Y. Miyashita, *On Galois extensions and crossed products*, J. Fac. Sci. Hokkaido Univ. Ser., **I 21** (1970), 97–121.
- [24] B. Pareigis, *Non-additive ring and module theory I. General theory of monoids*, Publ. Math. Debrecen **24** (1977), 189–204.
- [25] B. Pareigis, *Non-additive ring and module theory III. Morita Equivalences*, Publ. Math. Debrecen **25**(1–2) (1978), 177–186.
- [26] B. Pareigis, *Non-additive Ring and Module Theory. IV. The Brauer Group of a Symmetric Monoidal Category (Proc. Conf., Northwestern Univ., Evanston, Ill., 1975)*, Lecture Notes in Math. **549**, Springer, 1976, 112–133.
- [27] B. Pareigis, *Non-additive ring and module theory V. Projective and coflat objects*, Algebra Ber. **40** (1980), 33.
- [28] D. C. Ravenel, *Complex Cobordism and Stable Homotopy Groups of Spheres*, Pure and Applied Mathematics Series, Academic Press, San Diego, 1986.
- [29] P. Schauenburg, *Hopf bimodules over Hopf–Galois extensions, Miyashita-Ulbrich actions, and monoidal center constructions*, Commun. Algebra **24**(1) (1996), 143–163.
- [30] E. M. Vitale, *The Brauer and Brauer–Taylor groups of a symmetric monoidal category*, Cah. Topol. Géom. Différ. Catég. **37**(2) (1996), 91–122.

Alessandro Ardizzoni
 University of Turin
 Department of Mathematics “Giuseppe Peano”
 via Carlo Alberto 10
 I-10123 Torino
 Italy

alessandro.ardizzoni@unito.it
 sites.google.com/site/aleardizzonihome

Laiachi El Kaoutit
Universidad de Granada
Departamento de Álgebra y IEMath
Facultad de Educación
Economía y Tecnología de Ceuta
Cortadura del Valle, s/n. E-51001 Ceuta
Spain
kaoutit@ugr.es
<http://www.ugr.es/~kaoutit/>