



THE AERONAUTICAL JOURNAL

JANUARY 1968

NOTICES

- F. R. Banks** EDITORIAL
- J. E. Allen** THE SECOND CENTURY PAPERS—LOOKING AHEAD IN AERONAUTICS
- R. D. Hiscocks** STOL AIRCRAFT—A PERSPECTIVE
- V. E. Prah** FLIGHT DEVELOPMENT REPORT ON THE F-111
- A. Stratton** THE PRINCIPLES AND OBJECTIVES OF COST-EFFECTIVENESS ANALYSIS

OPINION

TENTH ANGLO-AMERICAN AERONAUTICAL CONFERENCE

TECHNICAL NOTES

- G. J. de Wit** Reliability and Utilisation of Flight Simulators
- S. C. Paranjpe and K. Sridhar** Effects of an Initial Gap on the Turbulent Jet Flow over a Curved Wall
- B. Tabarrok** Some Remarks on the Zero Frequency Modes

THE LIBRARY

Reviews: Kites - An Historical Survey—Vector Mechanics of Fluids and Magneto-fluids—Jane's All the World's Aircraft and Jane's Surface Skimmer Systems

Additions to the Library. Reports

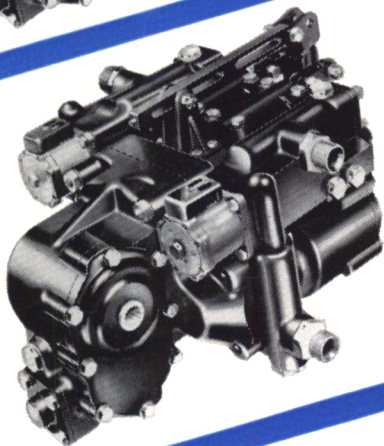
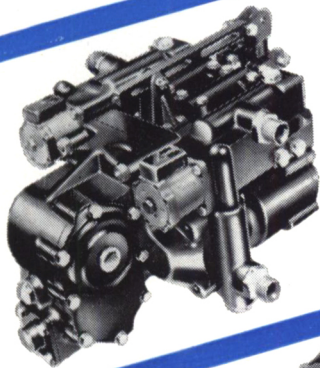
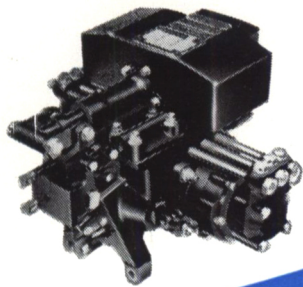
SUPPLEMENTARY PAPERS

- J. H. Neilson, A. Gilchrist and C. K. Lee** THRUST VECTOR CONTROL BY SECONDARY GAS INJECTION IN TWO-DIMENSIONAL NOZZLES
- P. D. Chappell** FLOW SEPARATION AND STALL CHARACTERISTICS OF PLANE, CONSTANT-SECTION WINGS IN SUBCRITICAL FLOW
- C. R. Hume** PROJECT MANAGEMENT AND TECHNICAL PROGRESS OF THE ESRO II SATELLITE PROJECT
- P. M. Ducamus** ESRO II SATELLITE ON-BOARD EQUIPMENT

THE ROYAL AERONAUTICAL SOCIETY

4 HAMILTON PLACE LONDON W1

27s 6d



HOBSON RATIONALISED FLAP CONTROL SYSTEMS

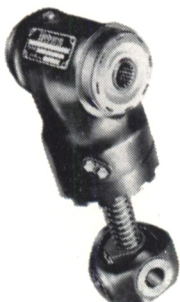
- SIMPLIFY SYSTEM DESIGN
- REDUCE DESIGN COST
- MINIMISE DEVELOPMENT
- ENSURE HIGH RELIABILITY
- SIMPLIFY LOGISTIC SUPPORT

Hobson
ESTABLISHED 1903

With over half-a-century's experience in the design and manufacture of precision engineering equipment for the aircraft industry, H. M. Hobson Ltd. is now able to offer complete Flap Operating Systems made up from a range of standard recirculating ball screw jacks, hydraulic drive units and transmission shaft assemblies. The range is extremely comprehensive and permits complete systems having optimum weight and performance, and satisfying widely differing requirements of load power and stroke, to be obtained.

Wide application of standard equipment results in large accumulated operational experience which automatically benefits each new user by ensuring a high level of reliability. Every item of this equipment embodies Hobson experience and background, generated in more than twelve years of activity in the design, development and manufacture of complete flap operating systems for many aircraft types, both civil and military.

H. M. HOBSON LIMITED · FORDHOUSES · WOLVERHAMPTON



THE AERONAUTICAL JOURNAL

THE ROYAL AERONAUTICAL SOCIETY

Incorporating The Institution of Aeronautical Engineers and The Helicopter Association of Great Britain

Published Monthly at 4 HAMILTON PLACE, LONDON W1

Telephone: 01-499 3515 Telegrams: Didaskalos, London, W1

Subscriptions: £15 15s. 0d. per annum, post free Single Copies: 27s. 6d.

VOLUME 72

NUMBER 685

JANUARY 1968

CONTENTS

	Page
NOTICES	
F. R. Banks EDITORIAL	1
J. E. Allen THE SECOND CENTURY PAPERS—LOOKING AHEAD IN AERONAUTICS	2
R. D. Hiscocks STOL AIRCRAFT—A PERSPECTIVE	11
V. E. Prahl FLIGHT DEVELOPMENT REPORT ON THE F-111	34
A. Stratton THE PRINCIPLES AND OBJECTIVES OF COST-EFFECTIVENESS ANALYSIS	43
OPINION	54
TENTH ANGLO-AMERICAN AERONAUTICAL CONFERENCE	56
TECHNICAL NOTES	
G. J. de Wit Reliability and Utilisation of Flight Simulators	59
S. C. Paranjpe Effects of an Initial Gap on the Turbulent Jet Flow over a Curved Wall	63
and K. Sridhar	
B. Tabarrok Some Remarks on the Zero Frequency Modes	68
THE LIBRARY	71
Reviews: Kites - An Historical Survey—Vector Mechanics of Fluids and Magneto-fluids—Jane's All the World's Aircraft and Jane's Surface Skimmer Systems	
Additions to the Library. Reports	
SUPPLEMENTARY PAPERS	
J. H. Neilson, THRUST VECTOR CONTROL BY SECONDARY GAS INJECTION IN TWO- A. Gilchrist and DIMENSIONAL NOZZLES C. K. Lee	77
P. D. Chappell FLOW SEPARATION AND STALL CHARACTERISTICS OF PLANE, CONSTANT-SECTION WINGS IN SUBCRITICAL FLOW	82
C. R. Hume PROJECT MANAGEMENT AND TECHNICAL PROGRESS OF THE ESRO II SATELLITE PROJECT	91
P. M. Ducamus, ESRO II SATELLITE ON-BOARD EQUIPMENT	103

Editor: JOAN BRADBROOKE, MBE, ARAeS.

Assistant Editor: JOAN BRUCE, BSc, AFRAeS.

Secretary of the Society: A. M. BALLANTYNE, OBE, TD, BSc, PhD, CEng, FRAeS, HonFCASI.

Advertisements Only: J. W. WILLIAMS, DFC, Magazine Advertising Ltd, 36-38 Whitefriars Street, London, EC4. Fleet Street 7539.

Reproduction in whole or in part of any of the papers and contributions published in this Journal is not permitted without the written consent of the Royal Aeronautical Society.

None of the papers or paragraphs must be taken as expressing the opinion of the Council of the Royal Aeronautical Society unless otherwise stated.

Printed by The Lewes Press Wightman & Co. Ltd., Lewes, Sussex, England, and Published by The Royal Aeronautical Society, 4 Hamilton Place, London, W.1, England.

THE ROYAL AERONAUTICAL SOCIETY

OVERSEAS DIVISIONS

Australia

President: Dr. M. W. WOODS, FRAeS.
Hon. Secretary: W. ISBISTER, FRAeS, 19 Wallace Street, Burwood,
Sydney, New South Wales.
Branches at: Canberra, Sydney, Melbourne and Adelaide.

Rhodesia

Hon. President: Sir HUMPHREY GIBBS, KCMG, OBE.
President: M. MADDERS, CEng, FRAeS.
Hon. Secretary: S. H. GUY, AFRAeS, c/o Central African Airways,
Private Bag 1, Salisbury Airport, Salisbury.
Branches at: Bulawayo, Gwelo and Salisbury.

New Zealand

President: Capt. J. H. MALCOLM, ARAeS.
Hon. Secretary: A. A. HOFFMAN, ARAeS, New Zealand National
Airways Corp, P.O. Box 96, Wellington.
Branches at: Auckland, Wellington, Palmerston North and Christ-
church.

Southern Africa

President: F. G. WESTON, MBE, ARAeS.
Hon. Secretary: A. W. BENNELL, P.O. Box 4409, Johannesburg.
Branches at: Johannesburg, Pretoria, Cape Western and Durban.

BRANCHES IN THE UNITED KINGDOM

Bedford

President: R. HILLS, FRAeS.
Chairman: D. CLAYSON, AFRAeS.
Hon. Secretary: T. E. B. BATEMAN, AFRAeS,
Aircraft Research Association, Manton
Lane, Bedford. Tel: Bedford 67701.

Belfast

President: C. E. WRANGHAM, CBE.
Chairman: R. J. FROST, AFRAeS.
Hon. Secretary: D. SAUNDERS, AFRAeS,
Short Bros & Harland Ltd, Montgomery
Road, Belfast 6. Tel: Belfast 59271.

Birmingham and Wolverhampton

President: L. W. J. NEWMAN, FRAeS.
Chairman: N. H. SHUTTLEWORTH, AFRAeS.
Hon. Secretary: I. B. CRIPPS, AFRAeS,
H. M. Hobson Ltd, Fordhouses, Wolver-
hampton, Staffs. Tel: Fordhouses 2381.

Boscombe Down

President: Air Cdre. F. R. BIRD, DSO, DFC,
AFC.
Chairman: G. MACLAREN-HUMPHREYS,
MBE, FRAeS.
Hon. Secretary: Sqn. Ldr. M. J. MERCER,
AFRAeS, Armament Division, A & AEE,
Boscombe Down, Amesbury, Salisbury,
Wilts. Tel: Amesbury 3331.

Bristol

President: F. H. POLLICUTT, FRAeS.
Chairman: T. V. LAWSON, FRAeS.
Hon. Secretary: A. D. WOOD, Rolls-Royce
Ltd, Bristol Engine Division, Filton,
Bristol 7. Tel: Bristol 693871, Ext 480.

Brough

President: Capt. E. D. G. LEWIN, CB, CBE,
DSO, AFRAeS.
Chairman: R. D. BOOT, AFRAeS.
Hon. Secretary: A. D. HOWARTH, ARAeS,
c/o Hawker Siddeley Aviation Ltd,
Brough, Yorkshire. Tel: Brough 667121,
Ext 314.

Cambridge

President: Professor W. A. MAIR, FRAeS.
Chairman: R. O. GATES, AFRAeS.
Hon. Secretary: D. J. COLE, Marshall of
Cambridge (Engineering) Ltd, Aircraft
Division, Airport Works, Cambridge. Tel:
Cambridge 56291.

Chester

President: K. G. HANCOCK, FRAeS.
Chairman: H. STRAWSON, AFRAeS.
Hon. Secretary: V. W. CLARKSON, ARAeS,
Hawker Siddeley Aviation Ltd, Broughton,
Chester. Tel: Chester 24646.

Christchurch

President: E. W. J. GRAY, FRAeS.
Chairman: H. E. VINCENT, AFRAeS.
Hon. Secretary: A. L. RUCKLEY, AFRAeS,
BAC (Op) Ltd, Design Office, Bourne-
mouth (Hurn) Airport, Christchurch,
Hants. Tel: Northbourne 3201.

Coventry

President: R. W. F. FARTHING, FRAeS.
Chairman: D. A. WOODLEY, FRAeS.
Hon. Secretary: G. W. COLLINS, AFRAeS,
Rocket Projects, Industrial and Marine
Gas Turbine Division, Rolls-Royce Ltd,
PO Box 72, Coventry, CV79JR, Warwick-
shire. Tel: Walsgrave-on-Sowe 3211.

Cranwell

President: Air Vice-Marshal T. N. STACK,
CVO, CBE, AFC.
Chairman: Wg. Cdr. J. SANDFORD, AFRAeS.
Hon. Secretary: F. A. BRISTOW, AFRAeS,
Dept of Engineering, RAF College, Cran-
well, Sleaford, Lincs. Tel: Cranwell 201.

Derby

President: Sir DENNING PEARSON,
HonFRAeS.
Chairman: H. PEARSON, FRAeS.
Hon. Secretary: V. R. HAAS, AFRAeS, Rolls-
Royce Ltd, Derby. DE2 8BJ. Tel: Derby
42424, Ext 946.

Glasgow

President: Dr. A. W. BABISTER, AFRAeS.
Chairman: G. M. ADDISON, AFRAeS.
Hon. Secretary: J. D. GILLIES, 3 Berridale
Avenue, Glasgow S4.

Gloucester and Cheltenham

President: Sir GEORGE DOWTY, HonFRAeS.
Chairman: J. G. RUSSELL, AFRAeS.
Hon. Secretary: C. E. HUTT, ARAeS, c/o
Smiths Industries Ltd, Bishops Cleeve,
Cheltenham, Glos. Tel: Bishops Cleeve
3333.

Halton

President: Air Vice-Marshal J. H. HUNTER-
TOD, OBE, AFRAeS.
Chairman: Gp. Capt. C. V. G. USHER,
AFRAeS.
Hon. Secretary: Flt. Lt. C. R. MILES,
Officers' Mess, RAF Halton, Bucks. Tel:
Wendover 2242.

Hatfield

President: Air Cdre. F. R. BANKS, CB, OBE,
HonFRAeS.
Chairman: E. B. ROBINSON, AFRAeS.
Hon. Secretary: G. B. EVANS, AFRAeS,
Drawing Office, Hawker Siddeley Aviation
Ltd, Hatfield, Herts. Tel: Hatfield 2345,
Ext 274.

Isle of Wight

President: R. STANTON-JONES, AFRAeS.
Chairman: D. J. HARDY, AFRAeS.
Hon. Secretary: A. J. DEVEREUX, AFRAeS,
British Hovercraft Corporation Ltd, East
Cowes, Isle of Wight. Tel: Cowes 4121.

London Airport

President: C. ABELL, OBE, FRAeS.
Chairman: E. GREGORY, AFRAeS.
Hon. Secretary: N. BROWN, ARAeS, Tech-
nical Publications, Technical Block A,
BOAC, London (Heathrow) Airport,
Hounslow, Middlesex. Tel: Skyport 5511,
Ext 2883.

Loughborough

President: Professor K. L. C. LEGG, FRAeS.
Chairman: Dr. K. B. AYERS, AFRAeS.
Hon. Secretary: F. G. MACCABEE, AFRAeS,
56 Holywell Drive, Loughborough, Leics.

Luton and Stevenage

President: J. C. RIVETT.
Chairman: H. E. CURTIS, AFRAeS.
Hon. Secretary: D. B. COLLINS, ARAeS,
English Electric Co. Ltd, Special Pro-
ducts Group, The Airport, Luton, Beds.
Tel: Luton 31441, Ext 134.

Manchester

President: C. E. FIELDING, OBE, FRAeS.
Chairman: M. J. BRENNAN, FRAeS.
Hon. Secretary: J. A. E. WATERFALL,
56 Manor Avenue, Ashton-on-Mersey,
Cheshire. Tel: Failsworth 2020.

Merthyr and Treforest

President: B. E. TREGANOWAN.
Chairman: E. R. CHAYTOR, AFRAeS.
Hon. Secretary: Dr. G. O. FORESTER,
AFRAeS, Chief of Research, Teddington
Aircraft Controls Ltd, Cefn Coed, Merthyr
Tydfil, South Wales. Tel: Merthyr Tydfil
3261.

Preston

President: F. D. CROWE, FRAeS.
Chairman: A. F. ATKIN, FRAeS.
Hon. Secretary: L. WILLOTT, AFRAeS, BAC
(Op) Ltd, Preston Division, Warton Aero-
drome, Preston, Lancashire. Tel:
Freckleton 531, Ext 269.

Prestwick

President: R. McINTYRE, FRAeS.
Chairman: B. J. G. ASBEEK BRUSSE,
AFRAeS.
Hon. Secretary: J. LOGAN, AFRAeS, Scottish
Aviation Ltd, Service Dept, Prestwick
Airport, Ayrshire. Tel: Prestwick 79888.

Reading

President: E. N. MOBBS.
Chairman: G. BOYCE, AFRAeS.
Hon. Secretary: E. W. C. ANGELL, ARAeS,
M. L. Aviation Co. Ltd, White Waltham,
Maidenhead, Berks. Tel: Littlewick
Green 248.

Southampton

President: A. N. CLIFTON, FRAeS.
Chairman: Professor G. M. LILLEY, FRAeS.
Hon. Secretary: P. W. FORTESCUE, AFRAeS,
Dept. of Aeronautics and Astronautics,
The University, Southampton. Tel: South-
ampton 56331, Ext 618.

Southend

President: J. R. BATT, ARAeS.
Chairman: K. A. COLE, AFRAeS.
Hon. Secretary: Wg. Cdr. E. F. PRICE,
ARAeS, Aviation Traders (Eng) Ltd,
Southend Airport, Essex. Tel: Southend
49471.

Swindon

President: Gp. Capt. F. S. HAZLEWOOD,
OBE, AFC.
Chairman: W. GILLESPIE, AFRAeS.
Hon. Secretary: E. J. DAVIS, AFRAeS,
Vickers Ltd, South Marston, Swindon,
Wilts. Tel: Stratton St. Margaret 3241.

Weybridge

President: Sir GEORGE EDWARDS, CBE,
HonFRAeS.
Chairman: E. S. ALLWRIGHT, FRAeS.
Hon. Secretary: A. M. DOBSON, AFRAeS,
BAC (Op) Ltd, Weybridge Division,
Weybridge, Surrey. Tel: Weybridge 45555.

Yeovil

President: E. C. WHELDON, CBE, FRAeS.
Chairman: Dr. G. S. HISLOP, FRAeS.
Hon. Secretary: L. A. LANSDOWN, AFRAeS,
Westland Aircraft Ltd, Yeovil, Somerset.
Tel: Yeovil 5222.

JANUARY 1968