

RESEARCH PAPER

An X-band Schottky diode mixer in SiGe technology with tunable Marchand balun

RASMUS S. MICHAELSEN^{1,2}, TOM K. JOHANSEN¹, KJELD M. TAMBORG²,
VITALIY ZHURBENKO¹ AND LEI YAN¹

In this paper, we propose a double balanced mixer with a tunable Marchand balun. The circuit is designed in a SiGe BiCMOS process using Schottky diodes. The tunability of the Marchand balun is used to enhance critical parameters for double balanced mixers. The local oscillator-IF isolation can be changed from -51 to -60.5 dB by tuning. Similarly, the IIP₂ can be improved from 41.3 to 48.7 dBm at 11 GHz, while the input referred 1-dB compression point is kept constant at 8 dBm. The tuning have no influence on conversion loss, which remains at 8.8 dB at a LO power level of 11 dBm at the center frequency of 11 GHz. The mixer has a 3 dB bandwidth from 8 to 13 GHz, covering the entire X-band. The full mixer has a size of $2050 \mu\text{m} \times 1000 \mu\text{m}$.

Keywords: Si-based devices and IC technologies, Circuit design and applications

Received 16 September 2015; Revised 19 August 2016; Accepted 22 August 2016; first published online 28 September 2016

I. INTRODUCTION

FREQUENCY down conversion is a vital function in almost any microwave receiver. The simplest receivers are usually based on the homodyne or direct conversion architecture [1]. This overcomes the problem with image frequency channel and leaves only the desired signal, directly at baseband. Mixers for direct conversion are also used in Doppler radars, as the direct conversion architecture gives the Doppler shift directly from the received frequency. Mixers for direct conversion have the drawback that the radio frequency (RF) and local oscillator (LO) frequencies are at the same frequency, thus good isolation between the ports is important as filtering is not possible. Also, as the output frequency is low, flicker or $1/f$ noise might be a problem.

The double balanced mixer ideally provides infinite isolation between all ports and is therefore a good choice to use as a mixer for direct conversion. Other benefits of the double balanced mixer are rejection of LO noise and high linearity [2]. The balancing circuits should, to get full benefit of the double balanced architecture, be well adjusted. This is challenging to achieve in practice due to process and manufacturing variances.

To utilize the broadband nature of the double balanced mixer, the balun should also be broadband otherwise the bandwidth of the mixer will be limited. The Marchand balun [3] is in itself very broadband, and it is commonly

used for this reason in a planar [4–6] or lumped-distributed [7–9] implementation. In [10] we presented a Marchand balun with tunable phase balance, and in [11, 12] we presented a broad band double balanced mixer using diode connected heterojunction bipolar transistors (HBTs) together with lumped Marchand baluns on RF and LO ports. The mixer design presented here integrates the tunable Marchand balun on the LO-port together with Schottky diodes for the mixing core. This allows to correct for any mismatches either in the balun design or in the mixing core itself. This should then enhance the benefits of practical implementations of double balanced mixers, where our focus will be on the properties important for direct conversion mixing, i.e. port isolation and linearity. To the author's knowledge a double balanced ring mixer with balance corrections using a tunable balun is demonstrated here for the first time.

II. DESIGN OF MIXER WITH TUNABLE BALUN

This section gives a description of the design of the circuitry. First a description of the lumped Marchand balun design with tunable phase balance is given. This will be followed by a description of the full mixer circuit. The theoretical treatment of the effect of LO balun imbalance on mixer characteristics can be found in Appendix V.

A) Marchand balun design

The broadband nature of the Marchand balun makes it an ideal candidate for a double balanced mixer. The idea of the tunable Marchand balun as described in [10] is to introduce a tunable shunt susceptance between the two coupled

¹Department of Electrical Engineering, Technical University of Denmark, 2800 Kongens Lyngby, Denmark

²Weibel Scientific A/S, 3450 Allerød, Denmark

Corresponding author:

R.S. Michaelsen

Email: rsm@weibel.dk

elements of the Marchand balun. The tuning range $\Delta\phi = \angle S_{21} - \angle S_{31}$ is given as [10]

$$\Delta\phi \approx \frac{Z_0(C^4 + C^2)}{C^2 + 1} B_m, \tag{1}$$

where C is the coupling factor of the coupled line element, Z_0 is the characteristic impedance and $B_m = j\omega C_m$ is the added susceptance.

A typical planar Marchand balun is realized using coupled transmission lines, and the introduction of a negative susceptance is difficult to synthesize. Instead the lumped element implementation [8] is suggested, as this already has a capacitance placed where the additional susceptance is required, allowing for an effective negative susceptance by having a smaller capacitance than normally required. The design procedure follows the one given in [8].

B) Mixer design

A diagram of the full mixer is shown in Fig. 1. The mixing core consists of four Schottky diodes in a ring, to enable the double balanced properties [2]. When choosing the diode size, the conversion-loss degradation factor [2] is a helpful guiding parameter

$$\delta = 1 + \frac{R_s}{Z_s} + \frac{Z_s f_{RF}^2}{R_s f_c^2}, \tag{2}$$

where R_s is the series resistance, Z_s is the real diode junctions RF input resistance, and $f_c = 1/2\pi R_s C_j$ is the cutoff frequency. Increasing the diode area will decrease the series resistance, but increase the junction capacitance, C_j , in such a manner that the cutoff frequency will decrease [13]. But as the RF frequency is low compared to f_c , a larger diode will give better conversion-loss degradation factor as the last term of (2) will be almost negligible. Using Harmonic Balance simulations a size was found such that using single series inductors, L_{RF} and L_{LO} for the RF and the LO ports, respectively, was sufficient to match to 50Ω . This gave a diode area of $14.4(\mu\text{m})^2$, with corresponding series resistance of $R_s = 19 \Omega$, junction capacitance of $C_{j_0} = 80 \text{ fF}$, which results in a cutoff frequency of $f_c = 105 \text{ GHz}$, and a loss degradation factor of $\delta = 1.5 \text{ dB}$.

The IF-extraction is similar to that described in [11]. That is, the RF balun has coupling capacitors C_{IF} to its ground connection, allowing for the IF signal extraction. It is important to make the IF extraction symmetric as any asymmetry will affect the balun performance. On the LO side the balun will, by its grounding, ensure the IF-return path for the diode ring. Table 1 gives the design parameters.

C) Effect of tunable LO balun

In Appendix V the effect of LO balun imbalance on the performance of double balanced diode ring mixer is described theoretically. In particular, it is described how the DC offset, LO, and RF leakage, conversion loss, and second-order intermodulation depends upon an interaction between the LO balun imbalance (amplitude and phase imbalances) and load mismatch. The effect of load mismatch is described with a phenomenal parameter ΔZ . The load mismatch parameter is highly layout dependent and cannot be assessed *a priori*.

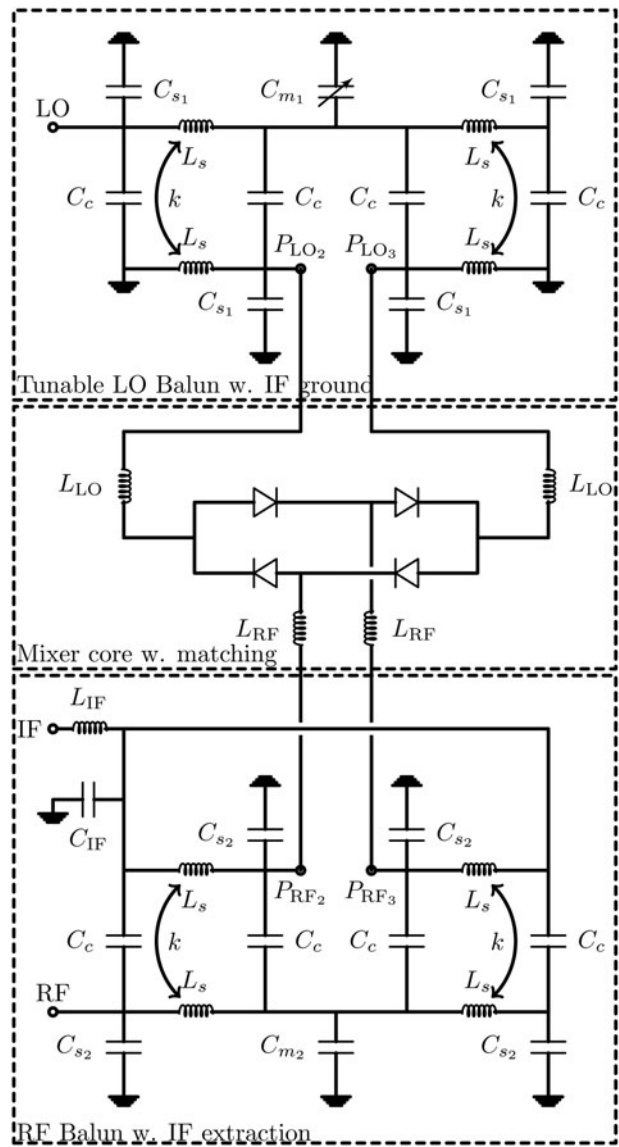


Fig. 1. Schematic of the double balanced mixer including RF and LO baluns.

Once the layout has been completed, however, it is possible to perform an electromagnetic (EM) simulation on the layout of the double balanced diode ring mixer circuit. This should provide a fair estimate of the effect of load mismatch. Figure 2 shows the 3D EM preview of the Schottky diode ring for the double balanced mixer using Momentum in ADS from Keysight Technologies. The interdigitated finger structure of the four Schottky diodes in the ring is clearly visual. Internal ports are provided at the internal anode and cathode connections of each Schottky diode. The EM result of the ring

Table 1. Design parameters for the mixer circuit.

Inductance	L_s (nH)	1.02
Inductive coupling	K	0.825
Capacitive coupling	C_c (fF)	379
Input matching capacitors	C_s (fF)	283
Balance matching capacitor	C_m (fF)	190
Matching inductor, LO	L_{LO} (nH)	0.94
Matching inductor, RF	L_{RF} (nH)	0.94
Diode area	A_d (μm^2)	14.4

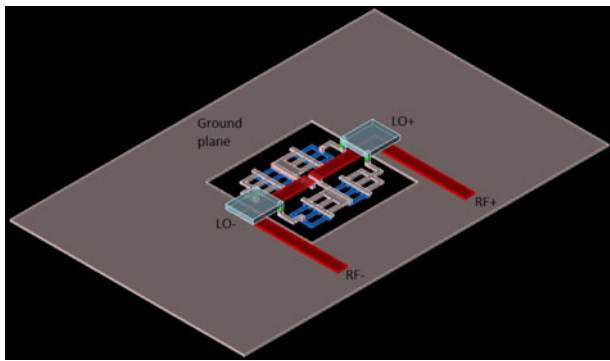


Fig. 2. 3D EM preview Schottky diode ring for the double balanced mixer using Momentum in ADS from Keysight Technologies.

structure is subsequently included into the circuit schematic for Harmonic balance simulations. With this setup it is believed that the load mismatch caused by the asymmetry in the layout of the diode ring can be accurately predicted.

According to the theoretical description in Appendix V the LO leakage at the IF port should not depend on the load mismatch. Therefore, we should expect the LO leakage to be minimized once the LO balun imbalance is minimized. Extending the above EM-circuit co-simulation approach to the complete mixer circuit including LO and RF baluns, matching inductors, and diode ring it is possible to predict the LO leakage as a function of phase difference between the complementary outputs of the LO balun. This is shown in Fig. 3 for an LO frequency of 11.5 GHz and LO power level of +11 dBm.

As expected from our theoretical description the LO leakage is minimized for a phase difference around 180° for the LO balun. The shown phase difference ranging from -184° to -176.5° corresponds to the achievable tuning range of the LO balun using the metal-oxide-semiconductor (MOS) varicap. The reason that the minimum of the LO leakage is not occurring exactly at 180° phase difference is that the LO balun also has a small amplitude imbalance. Despite this it is shown how even a rather limited tuning range can improve the LO leakage by approximately 7 dB. As described in Appendix V the second-order intermodulation is expected to depend simultaneously on interaction between the LO balun

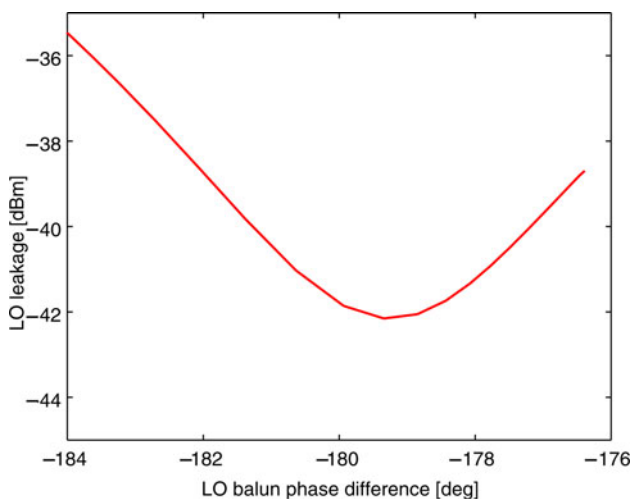


Fig. 3. LO leakage versus phase difference for the LO balun. The LO frequency is 11.5 GHz and the LO power is +11 dBm.

imbalance and the load mismatch. That is, no second-order intermodulation would be expected if either the LO balun imbalance or load mismatch are zero. Figure 4 shows the simulated second-order intermodulation product at the IF port. The LO frequency is set at 11.4 GHz and the LO power is set at +11 dBm. The two RF tones are at 11.5 and 11.513 GHz. Thus the second-order intermodulation product is at 13 MHz. The power in each of the two RF tones is -20 dBm. It is seen that tuning the phase balance of the LO balun indeed improves the second-order intermodulation product. Because the second-order intermodulation product depends on both the LO balun imbalance and the load mismatch the minimum is not reached at exactly a phase difference of 180° . Due to the presence of an amplitude imbalance the second-order intermodulation product cannot be cancelled completely.

III. EXPERIMENTAL RESULTS

In this section the experimental results are discussed. The measurements are made on-wafer using a probe station, and calibration is used to remove losses in cables and probes.

The circuit is fabricated using a SiGe:C BiCMOS process from Innovations for High Performance Microelectronics (IHP). It is a $0.25\ \mu\text{m}$ technology, but Schottky diodes are not a mature part of the process and may suffer from leakage current. Indeed, characterization of fabricated Schottky diodes revealed a significant leakage current with spreading across test sites. Their performance as mixer diodes, however, should not be affected too much by the leakage current. The process also has metal-insulator-metal (MIM) capacitors, MOS-varactors and five metal layers of which the upper two are extra thick, intended for passives or low loss interconnects.

First measurements of the Marchand balun, measured on a separate breakout, is presented in Section IIA) which is followed by a presentation of the measurements of the full mixer circuit in Section IIB).

A) Marchand balun experimental results

A break out of the circuit was manufactured, with a size of $700\ \mu\text{m} \times 990\ \mu\text{m}$, which is shown in Fig. 5. The matching

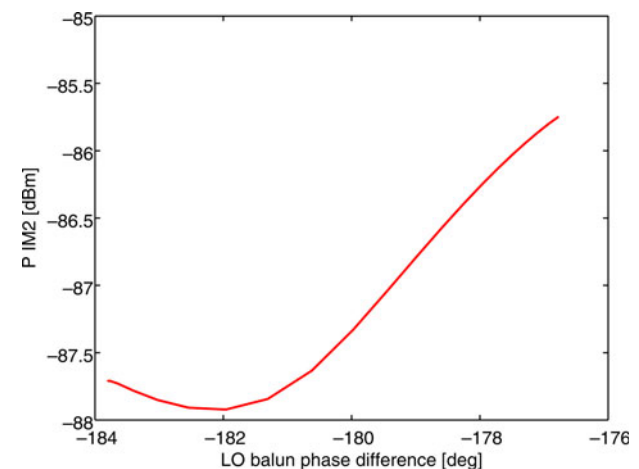


Fig. 4. Second-order intermodulation product at IF port versus phase difference of the LO balun.

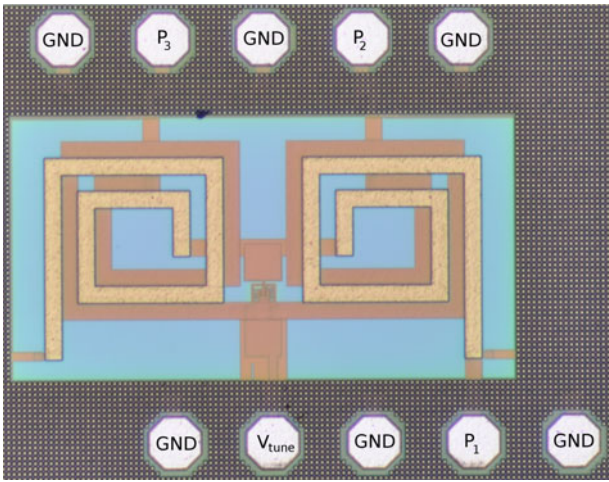


Fig. 5. Microphotograph of the tunable Marchand balun, size 700 μm × 990 μm.

capacitors, C_s is implemented as MIM capacitors and variable capacitor, C_m , is implemented using a MOS-varactor, which can be tuned from 0.35 to 1.0 pF. The inductors, L_s , is implemented as broad-side coupled inductor pairs using the top two metal layers, for best Q -value. These are diagonally offset to get the desired inductive coupling, k , and capacitive coupling, C_c .

Figure 6 shows measurements of insertion loss, reflection, and isolation of the balun structure. The insertion loss is better than 7 dB on both channels in the range from 11 to 13 GHz, while having a return loss better than 14.5 dB. The magnitude balance is plotted in Fig. 7. At the center frequency of 12 GHz the magnitude balance can be tuned by 0.8 dB, from -0.8 to 0 dB. In Fig. 8 the phase difference is plotted for different bias values as a function of frequency. At the center frequency the phase difference can be tuned by 5.8°, from 171.6° to 177.4°, so a perfect match is not obtainable, but a large improvement of $\Delta\phi$ is still possible.

B) Full mixer circuit

In this section, measurements of the combined mixer circuit are discussed. The circuit has a size of 2050 μm × 1000 μm,

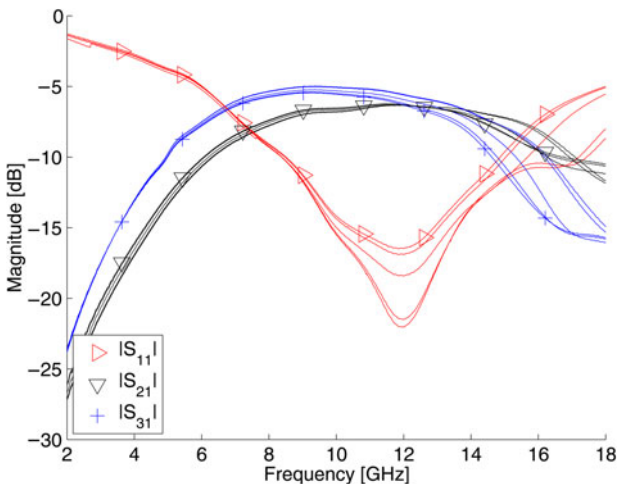


Fig. 6. Insertion loss and input matching measured with tuning voltages ranging from -2.5 to 2.5 V.

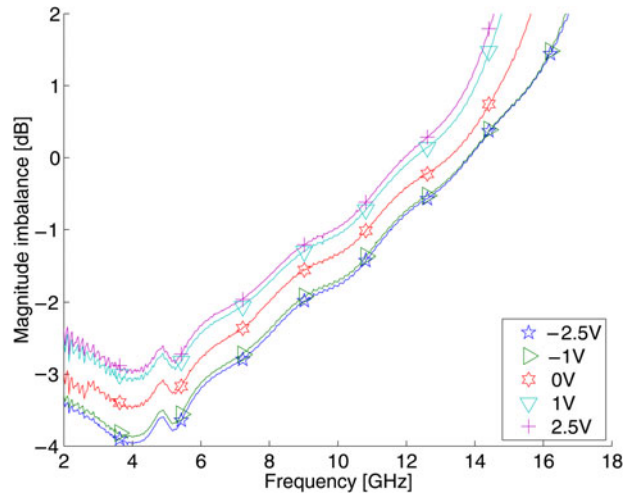


Fig. 7. Measurement of magnitude imbalance with tuning voltages ranging from -2.5 to 2.5 V.

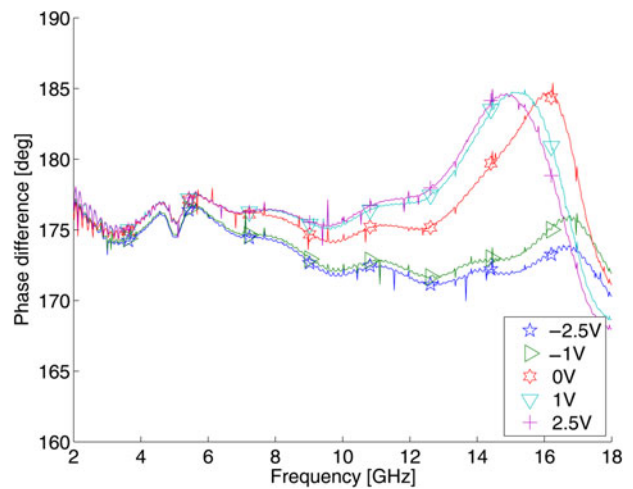


Fig. 8. Measurement of phase difference between output ports with tuning voltages ranging from -2.5 to 2.5 V.

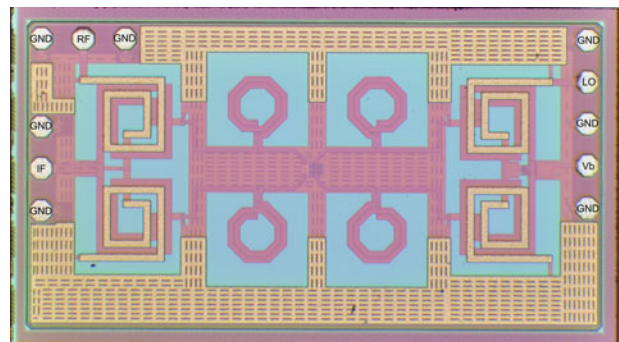


Fig. 9. Microphotograph of the mixer circuit. Size 2050 μm × 1000 μm.

and in Fig. 9 is a microphotograph of the circuit. For all measurements the IF-frequency is 100 MHz.

The conversion loss as a function of LO power at 11.5 GHz is plotted in Fig. 10, for measurements and simulation. It is almost saturated for a LO power level of 11 dBm with a

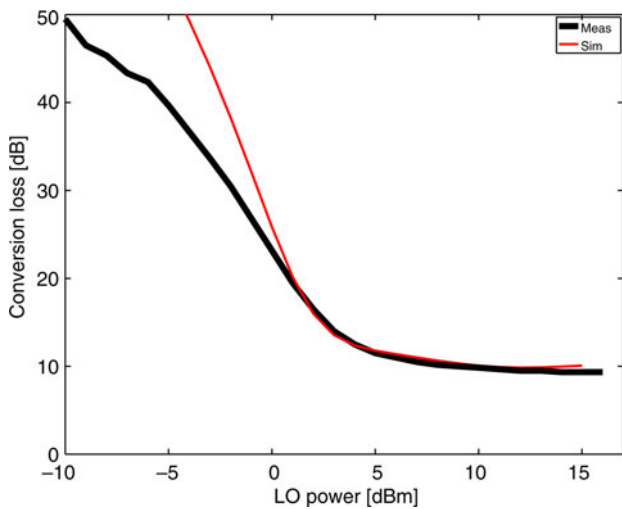


Fig. 10. Conversion loss as a function of LO power.

conversion loss of 9.7 dB. Increasing the LO power level to 16 dBm will only give a small decrease in conversion loss to 9.3 dB. Thus for all other measurements the lower level of 11 dBm is chosen. A good agreement between measurement and simulation is observed, except when the diode is driven with low power. This is due to the diode model not being accurate at these power levels.

The conversion loss as a function of frequency is plotted in Fig. 11, for measurements and simulation. A good agreement between simulation and measurements is observed. A conversion loss of 8.8 dB is obtained at 11 GHz. The broadband nature of the Marchand balun is seen and the 3-dB bandwidth is from 8 to 13 GHz, covering the entire X-band and into the lower part of the Ku-band. It is seen that the conversion loss is independent of the bias voltage on the MOS varactor and thereby the LO balun imbalance. This trend is in agreement with the theoretical prediction using equation (A.25) in Appendix V.

Changing the tuning capacitance has a clear influence on the LO to IF isolation, as was predicted in equation (A.20) in Appendix V. At 11 GHz it can be changed from -41.3 dB at a bias voltage of -2.5 V to -48.7 dB at a bias voltage of

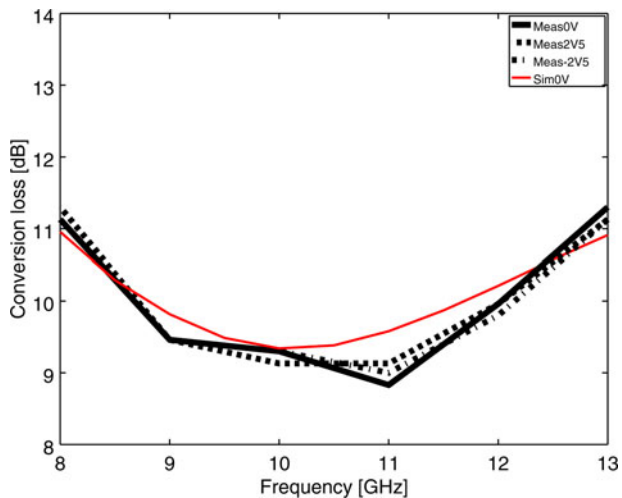


Fig. 11. Conversion loss as a function of frequency.

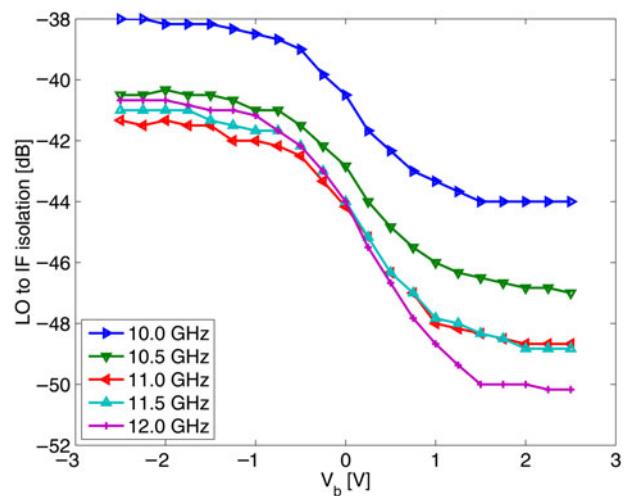


Fig. 12. LO to IF isolation versus tuning voltage for different frequencies.

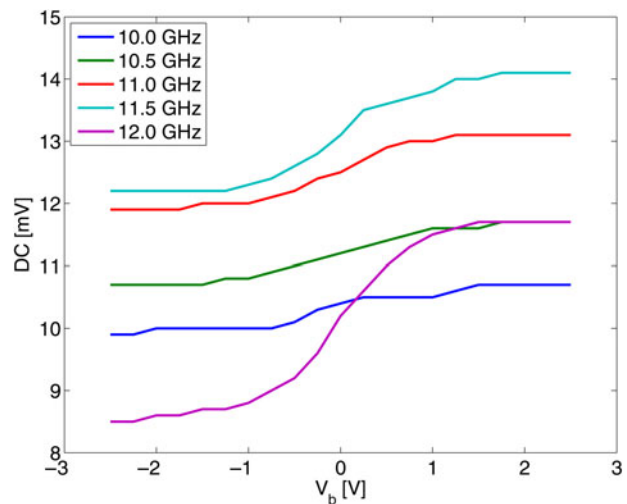


Fig. 13. DC level versus tuning voltage for different frequencies.

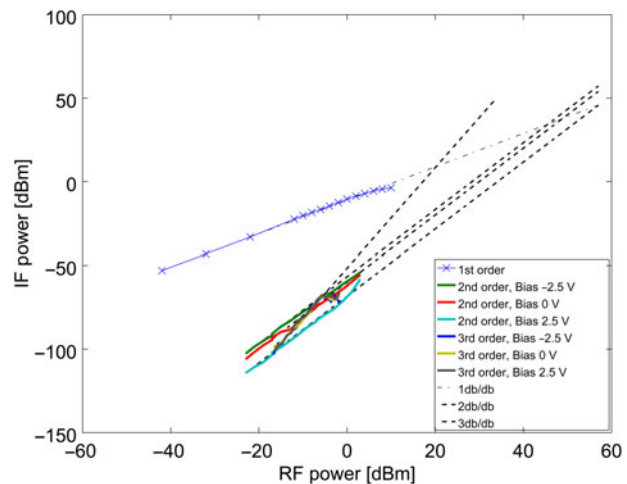


Fig. 14. IF power versus RF power at the fundamental and second-order frequency for different tuning voltages. Extrapolated lines show IIP2.

Table 2. Comparison between this work and recent reported direct conversion mixers.

References	Technology	Topology	Frequency (GHz)	CG (dB)	LO-power (dBm)	LO-IF/RF-IF/LO-RF isolation (dB)	IP ₁ (dBm)	IIP ₂ (dBm)
[16]	SiGe HBT	Active double bal.	18	4.5	-1	-/-/31	-12.2	20.3
[17]	SiC Schottky	Double bal.	2.4	-12	24	>30/ 7/-	23	58
[11]	SiGe HBT-diode	Double bal.	8.5	-9.8	15	55/40/58	12	66
[This work]	SiGe Schottky	Double bal.	11	-8.8	11	60.5/35/53.7	8	45-57

2.5 V. In Fig. 12 the LO to IF isolation is plotted as a function of balun tuning voltage for different frequencies. It is possible to reduce the isolation more for the higher frequencies, but this is what is expected as the phase balance of the balun is more sensitive to bias changes there and have better magnitude balance as shown in Figs 7 and 8.

The RF-IF isolation is also constant, due to the fact that the main contributing mechanism to the leakage is unbalance in the RF-balun, which remains constant.

In Fig. 13 the DC offset is plotted versus the tuning voltage. It is possible to change the DC offset by a few mV, but there is a larger offset of around 9 mV, which cannot be completely removed. As would be expected there is a larger swing for the higher frequencies as the balun is more sensitive here. Apart from disturbing the following circuitry the DC offset is also unwanted as it increases the flicker noise level [14].

The linearity is plotted in Fig. 14. The 1 dB compression point is measured to be at 8 dBm RF input power.

Intermodulation is measured with two RF tones at frequencies of 11.5 and 11.513 GHz. For the measurements the second-order product at 13 MHz and the third-order product at 74 MHz is chosen. The LO frequency is 11.4 GHz. Isolators are placed after the signal generators to avoid leakage and intermodulation of the signals before they are applied to the mixer. Attenuation is added to the output of the mixer to avoid measuring the non-linearity of the spectrum analyzer [15]. From Fig. 14 the IIP₂ can be read as the extrapolated values to be 45.5, 48.8 and 57.1 dBm for bias levels of -2.5, 0 and 2.5 V respectively, giving a 11.6 dB tuning range of IIP₂. The curve corresponding to the 2.5 V bias point has a steeper slope for the last couple of points which could be a fourth-order phenomenon, as the one that was observed in [11]. The IIP₃ is likewise found to be 20 dBm for all bias levels. This is according to the theory explained in Appendix V, where it was shown that the second-order intermodulation is sensitive to small changes in the balance, according to equation (A.26), whereas the third-order intermodulation is not, according to equation (A.28). Thus it is experimentally shown that a tunable balun can enhance the properties of the double balanced mixer, by increasing the LO-IF isolation and the IIP₂.

In Table 2 the mixer is compared with other state-of-the-art direct conversion mixers reported in the open literature. As would be expected, from a SiGe technology, it is clear that if one wants an extremely linear circuit an active topology is not suitable. Of course, the active topology comes with the benefit of having 4.5 dB gain compared with -8.8 dB or worse for the passive diode-based topologies. The 1 dB compression point is lower than what is reported for [17] and [11], but these also exhibit more loss.

The best IIP₂ is achieved by [11], but after tuning our circuit is close to this and on par with [17].

An explanation for the poorer isolation and intermodulation is that a perfect balance is not obtained anywhere in the tuning range of the balun. For the mixer reported in [11] the inherent balun balance is believed to be extraordinary good which, however, can generally not be assured in all practical cases.

IV. CONCLUSION

We have presented a Schottky mixer design in a SiGe technology, with a balun, which is tunable to reduce leakage and enhance linearity. A breakout of the balun was measured. The full mixer has a size of 2050 μm × 1000 μm. The center frequency of the mixer is 11 GHz. Here it has a conversion loss of -8.8 dB with a LO power level of 11 dBm. The 3-dB bandwidth is from 8 to 13 GHz, more than the entire X-band. The conversion loss is constant over the tuning range. The LO-IF isolation on the other hand can change from 41.3 to 48.7 dBm at 11 GHz. The IIP₂ can be improved by the tuning from 45.5 to 57.1 dBm, while the 1-dB compression point and IIP₃ is kept constant at 6.7 and 20 dBm.

REFERENCES

- [1] Razavi, B.: Design considerations for direct-conversion receivers. *IEEE Trans. Circuits Syst. II: Analog Digital Signal Process.*, **44** (6) (1997), 428-435.
- [2] Maas, S.A.: *Microwave Mixers*, 2nd ed. Artec House, Boston, London, 1993.
- [3] Marchand, N.: Transmission-line conversion transformers. *Electronics*, **17** (1944), 142-145.
- [4] Zhang, Z.-Y.; Guo, Y.-X.; Ong, L.; Chia, M.Y.W.: A new planar Marchand balun, in *Int. Microwave Symp. (MTT-S)*, Long Beach, CA, USA, 2005.
- [5] Ang, K.S.; Robertson, I.D.; Elgaid, K.; Thayne, I.G.: 40 to 90 GHz impedance-transforming CPW Marchand balun, in *IEEE MTT-S Int. Microwave Symp. Digest*, Boston, MA, USA, 2000, 1141-1144.
- [6] Ma, T.-G.; Wang, C.-C.; Lai, C.-H.: Miniaturized distributed Marchand balun using coupled synthesized CPWs. *IEEE Microw. Wireless Compon. Lett.*, **21** (2011), 188-190.
- [7] Ang, K.S.; Leong, Y.C.; Lee, C.H.: Analysis and design of miniaturized lumped-distributed impedance-transforming baluns. *IEEE Trans. Microw. Theory Tech.*, **51** (2003), 1009-1017.

- [8] Johansen, T.K.; Krozer, V.: Analysis and Design of Lumped Element Marchand Baluns, In Mikon Conf. Proc., Wroclaw, Poland, 2008.
- [9] Miao, X.; Zhang, W.; Geng, Y.; Chen, X.; Ma, R.; Gao, J.: Design of compact frequency-tuned microstrip balun. *IEEE Antennas Wireless Propag. Lett.*, **9** (2010), 686–688.
- [10] Michaelsen, R.; Johansen, T.; Tamborg, K.; Zhurbenko, V.: a modified Marchand balun configuration with tunable phase balance. *IEEE Microw. Wireless Compon. Lett.*, **23** (2013), 66–68.
- [11] Michaelsen, R.; Johansen, T.; Tamborg, K.; Zhurbenko, V.: Design of a broadband passive X-band double-balanced mixer in SiGe HBT technology. *Int. J. Microw. Wireless Technol.*, **6** (2014), 235–242.
- [12] Michaelsen, R.S.; Johansen, T.K.; Kjeld, T.; Vitaliy, Z.: A Passive X-Band Double Balanced Mixer Utilizing Diode Connected SiGe HBTs, 8th European Microwave Integrated Circuit Conf. (EuMIC), Nuremberg, Germany, 2013.
- [13] Rassel, R.M. et al.: Schottky barrier diodes for millimeter wave sige-bicmos applications, in Proc. of the 2006 Bipolar/Bicmos Circuits and Technology Meeting, Maastricht, Netherlands, 2006.
- [14] Michaelsen, R.; Johansen, T.; Tamborg, K.: Investigation of LO-leakage cancellation and DC-offset influence on flicker-noise in X-band mixers, in 7th European Microwave Integrated Circuit Conf. (EuMIC), Amsterdam, Netherlands, 2012.
- [15] Maas, S.A.: *Nonlinear Microwave and RF Circuits*, 2nd ed. Artec House, 2003.
- [16] Wang, Y.; Duster, J.S.; Kornegay, K.T.; Park, H.; Laskar, J.: An 18 GHz low noise high linearity active mixer in SiGe, in Proc. IEEE Int. Symp. Circuits and Systems, 2005.
- [17] Sudow, M.; Andersson, K.; Nilsson, P-A.; Rorsman, N.: A highly linear double balanced Schottky diode S-band mixer. *IEEE Microw. Wireless Compon. Lett.*, **16** (2006), 336–338.
- [18] Michaelsen, R.; Johansen, T.; Krozer, V.: Design of a x4 subharmonic sub-millimeter wave diode mixer, based on an analytic expression for small-signal conversion admittance parameters, in 2013 Microwave and Optoelectronics Conf. (IMOC), Rio de Janeiro, Brazil, 2013.
- [19] Abramowitz, M.; Stegun, I.A.: *Handbook of Mathematical Functions*, Dover Publications, Washington, DC, USA, 1968.



Rasmus S. Michaelsen received the M.Sc. and Ph.D. degrees in Electrical Engineering from the Technical University of Denmark, Denmark, in 2010 and 2016, respectively. In 2009 he joined Weibel Scientific A/S, designing and testing X-band microwave components, and later as MMIC design engineer. In 2010 he was on an external stay at Physikalisches Institut, Johann Wolfgang Goethe-Universität, Frankfurt am Main, Germany. His current research interests include microwave monolithic integrated circuit (MMIC) design, nonlinear circuits, flicker noise and direct conversion receiver circuits.

Physikalisches Institut, Johann Wolfgang Goethe-Universität, Frankfurt am Main, Germany. His current research interests include microwave monolithic integrated circuit (MMIC) design, nonlinear circuits, flicker noise and direct conversion receiver circuits.



Tom K. Johansen received his M.S and Ph.D. degrees in Electrical Engineering from the Technical University of Denmark, Denmark, in 1999 and 2003, respectively. In 1999 he joined the Electromagnetic Systems group, DTU Elektro, Technical University of Denmark, Denmark, where he is currently an Associate Professor. From September 2001 to March 2002 he was a Visiting scholar at the center for wireless communication, University of San Diego, California, Ca. From November 2012 to February 2013 he spent a sabbatical at the Ferdinand Braun Institute (FBH), in Berlin, Germany. His research areas include the modeling of HBT devices, microwave, millimeter-wave, and sub-millimeter-wave integrated circuit design.



Kjeld M. Tamborg was born in Kastруп, Denmark in 1966. He received his M.Sc. degree in Electronics from the Technical University of Denmark (DTU) in 1990. He was in 1990 hired by Weibel Scientific A/S, Allerød, Denmark, where he is still working. Since 2007 he has been responsible for the product Weibel radar antenna heads and components inside.

During his work he has developed micro strip antenna elements, low noise amplifiers, power amplifiers, mixers, oscillators, and many other components for X-band radar.



Vitaliy Zhurbenko received the M.Sc. degree from the Kharkiv National University of Radio Electronics in 2001, and the Ph.D. degree from the Technical University of Denmark in 2008, all in Electrical Engineering. From November 2000 to June 2005, he was a metrology engineer with the Laboratory of Metrology, Kharkiv, Ukraine. In 2005, he joined the Technical University of Denmark, where he is currently an Associate Professor. His current research interests include microwave and millimeter wave devices and integrated circuits for instrumentation applications; microwave and millimeter wave sensing for biomedical and security applications; microwave imaging and radars; antenna and passive circuit design and characterization.

His current research interests include microwave and millimeter wave devices and integrated circuits for instrumentation applications; microwave and millimeter wave sensing for biomedical and security applications; microwave imaging and radars; antenna and passive circuit design and characterization.



Lei Yan was born in Beijing, China, in 1980. He received the B.E. degree in Electronics Engineering from Xi'dian University, China, in 1998. He received the MSc. and Ph.D. degrees in Electrical Engineering department of Technical university of Denmark in 2007 and 2012, respectively. His previous research interests include wideband MMIC designs: low noise amplifiers, mixer, and mm-wave power amplifier. Since 2012, he joined the photonic-component department in Fraunhofer Heinrich-Hertz-Institut at Berlin for IC development in optical communication field.

Since 2012, he joined the photonic-component department in Fraunhofer Heinrich-Hertz-Institut at Berlin for IC development in optical communication field.

APPENDIX

V. NON-IDEAL DOUBLE BALANCED MIXER THEORY

This section will give a theoretical description of the behavior of double balanced mixers in the case of non-ideal baluns. The main focus will be on DC offset, port isolation, and the intermodulation products. First we investigate the large signal conditions for the LO-voltage. This is followed by an analysis of the behavior of the ring mixer due to unbalance. The analysis takes the time-varying nature of the diodes non-linear conductances under the influence of LO balun imbalances into account. Thus it will be possible to identify the mechanisms responsible for DC offset, LO, and RF leakage, conversion loss, and second-order intermodulation products.

The diode ring, which will be used as the core of the double balanced mixer is depicted in Fig. 15. The current through each Schottky diode is given by

$$I_{d_n} = I_s \left(\exp\left(\frac{V_{d_n}}{\eta V_T}\right) - 1 \right), \tag{A.1}$$

where I_s is the saturation current, V_{d_n} is the large signal diode voltage across diode n , η is the ideality factor and V_T is the thermal voltage.

To find the LO-voltage across a single diode in the diode ring, we look at the left and right half-circuit independently. The half-circuit is shown in Fig. 16, where the impedance Z_m is a combination of IF, RF load, and embedding network. Using the definitions on the figure, we have the following voltage relation:

$$V_a = V_{d_1} + Z_m I_m, \tag{A.2}$$

$$V_b = -V_{d_2} + Z_m I_m, \tag{A.3}$$

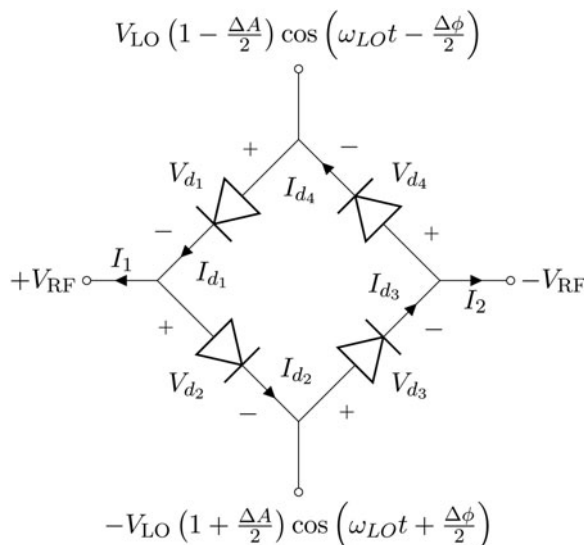


Fig. 15. Schottky diode ring.

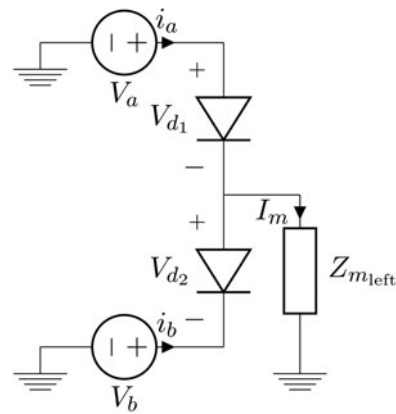


Fig. 16. Half circuit of diode ring, left side.

$$\text{where } I_m = i_a + i_b = I_s \left(\exp\left(\frac{V_{d_1}}{\eta V_T}\right) - \exp\left(\frac{V_{d_2}}{\eta V_T}\right) \right). \tag{A.4}$$

The signals V_a and V_b can be given as

$$V_a = V_{LO} \left(1 - \frac{\Delta A}{2} \right) \cos\left(\omega_{LO} t - \frac{\Delta \phi}{2}\right), \tag{A.5}$$

$$V_b = -V_{LO} \left(1 + \frac{\Delta A}{2} \right) \cos\left(\omega_{LO} t + \frac{\Delta \phi}{2}\right), \tag{A.6}$$

where we have introduced a phase error, $\Delta \phi$, and a amplitude error ΔA . This allows us to investigate the consequences of imbalance on circuit performance. We also introduce a load imbalance on the IF load given as $Z_{m_{left}} = Z_m(1 + (\Delta Z/2))$ and $Z_{m_{right}} = Z_m(1 - (\Delta Z/2))$ for the left and right half circuits, respectively. The term $Z_m I_m$ from (A.2), which will contribute to a voltage difference across the two diodes, is approximated by the term $(1 \pm A_z(1 - (\Delta Z/2)))$, where A_z is a function of the amplitude and phase balance. This term reduces to zero if the amplitude and phase balance are both zero. Then the large signal diode voltages can be approximated to

$$V_{d_1} = V_{LO} \left(1 - \frac{\Delta A}{2} \right) \cos\left(\omega_{LO} t - \frac{\Delta \phi}{2}\right) \left(1 - A_z \left(1 + \frac{\Delta Z}{2} \right) \right), \tag{A.7a}$$

$$V_{d_2} = V_{LO} \left(1 + \frac{\Delta A}{2} \right) \cos\left(\omega_{LO} t + \frac{\Delta \phi}{2}\right) \left(1 + A_z \left(1 + \frac{\Delta Z}{2} \right) \right), \tag{A.7b}$$

$$V_{d_3} = -V_{LO} \left(1 + \frac{\Delta A}{2} \right) \cos\left(\omega_{LO} t + \frac{\Delta \phi}{2}\right) \left(1 + A_z \left(1 - \frac{\Delta Z}{2} \right) \right), \tag{A.7c}$$

$$V_{d_4} = -V_{LO} \left(1 - \frac{\Delta A}{2}\right) \cos\left(\omega_{LO}t - \frac{\Delta\phi}{2}\right) \left(1 - A_Z \left(1 - \frac{\Delta Z}{2}\right)\right). \tag{A.7d}$$

From Fig. 15 we have

$$I_1 = I_{d_1} - I_{d_2}, \tag{A.8}$$

$$I_2 = I_{d_3} - I_{d_4}. \tag{A.9}$$

Summing these gives the currents at the IF port and the difference gives the current at the RF port

$$I_{IF} = I_1 + I_2, \tag{A.10}$$

$$I_{RF} = I_1 - I_2. \tag{A.11}$$

The current through each diode as a function of RF voltage can be expressed as a Taylor series taken around the large signal LO voltage

$$I_{d_n}(t) = I_{o_{d_n}}(t) + g_{1_{d_n}}(t)v + g_{2_{d_n}}(t)v^2 + g_{3_{d_n}}(t)v^3 + \dots, \tag{A.12}$$

where d_n denotes the diode number n , $I_{o_{d_n}} = I_d(V)|_{V=V_{d_n}}$, $g_1 = dI_d(V)/dV|_{V=V_{d_n}}$, and $g_2 = 1/2 d^2I_d(V)/dV^2|_{V=V_{d_n}}$.

Using (A.12) we will investigate how the DC offset, LO, and RF leakage, conversion loss and second-order intermodulation depends on the unbalances. For each diode the current will be given as

$$I_{d_1} = I_{o_{d_1}}(t) - g_{1_{d_1}}(t)v_{RF} + g_{2_{d_1}}(t)v_{RF}^2 - g_{3_{d_1}}(t)v_{RF}^3, \tag{A.13a}$$

$$I_{d_2} = I_{o_{d_2}}(t) + g_{1_{d_2}}(t)v_{RF} + g_{2_{d_2}}(t)v_{RF}^2 + g_{3_{d_2}}(t)v_{RF}^3, \tag{A.13b}$$

$$I_{d_3} = I_{o_{d_3}}(t) + g_{1_{d_3}}(t)v_{RF} + g_{2_{d_3}}(t)v_{RF}^2 + g_{3_{d_3}}(t)v_{RF}^3, \tag{A.13c}$$

$$I_{d_4} = I_{o_{d_4}}(t) - g_{1_{d_4}}(t)v_{RF} + g_{2_{d_4}}(t)v_{RF}^2 - g_{3_{d_4}}(t)v_{RF}^3. \tag{A.13d}$$

A) DC offset from LO drive

From (A.12) a DC contribution comes from the first term $I_o(t)$ or the even ordered terms, for $\omega_{LO} \neq \omega_{RF}$. In this section we will only look at the DC that comes from the $I_o(t)$ term, in Section VE) we look at the DC term coming from higher orders. It should be mentioned that other mechanisms can also add to the DC offset, such as LO-self mixing due to a parasitic path from the LO port to the RF port before the mixer core [14]. The zero-order Fourier coefficient corresponds to the DC-current through each diode. The zero-order Fourier coefficient $I_o(t)$ corresponds to the DC-current

through each diode can be found as [18]

$$I_{o_{d_1}} = I_s \left[\hat{I}_o \left(\frac{V_{LO}(1 - (\Delta A/2))(1 - A_Z(1 + (\Delta Z/2)))}{\eta V_T} \right) - 1 \right], \tag{A.14a}$$

$$I_{o_{d_2}} = I_s \left[\hat{I}_o \left(\frac{V_{LO}(1 + (\Delta A/2))(1 + A_Z(1 + (\Delta Z/2)))}{\eta V_T} \right) - 1 \right], \tag{A.14b}$$

$$I_{o_{d_3}} = I_s \left[\hat{I}_o \left(\frac{V_{LO}(1 + (\Delta A/2))(1 + A_Z(1 - (\Delta Z/2)))}{\eta V_T} \right) - 1 \right], \tag{A.14c}$$

$$I_{o_{d_4}} = I_s \left[\hat{I}_o \left(\frac{V_{LO}(1 - (\Delta A/2))(1 - A_Z(1 - (\Delta Z/2)))}{\eta V_T} \right) - 1 \right], \tag{A.14d}$$

where $\hat{I}_o(x)$ is the modified Bessel function of order o and argument x . As the deviations are all small, linearizing will give better insight. First we reformulate the nominator in (A.14a)

$$V_{LO} \left(1 - \frac{\Delta A}{2}\right) \left(1 - A_Z \left(1 - \frac{\Delta Z}{2}\right)\right) = V_{LO}(1 + a), \tag{A.15}$$

where $a = -\Delta A/2 - A_Z(1 - (\Delta Z/2)) + \Delta A/(2)A_Z(1 - (\Delta Z/2))$. Similar relations can be formulated for (A.15) through (A.14d). Then linearizing the Bessel function around V_{LO} , for small deviations of a , using [9.6.28] in [19], gives

$$\hat{I}_o \left(\frac{V_{LO}(1 + a)}{\eta V_T} \right) = \hat{I}_o \left(\frac{V_{LO}}{\eta V_T} \right) + \frac{V_{LO}}{\eta V_T} \hat{I}_1 \left(\frac{V_{LO}}{\eta V_T} \right) a, \tag{A.16}$$

where $\hat{I}_1(x)$ is the modified Bessel function of first order and argument x . Using this relation in (A.14a) through (A.14d), inserting them into (A.8) and (A.9), and then into (A.10) we get

$$\begin{aligned} I_{IF} &= I_{o_{d_1}}^o - I_{o_{d_2}}^o + I_{o_{d_3}}^o - I_{o_{d_4}}^o \\ &= -I_s \frac{V_{LO}}{\eta V_T} \hat{I}_1 \left(\frac{V_{LO}}{\eta V_T} \right) 4A_Z \frac{\Delta Z}{2}. \end{aligned} \tag{A.17}$$

This shows that a DC contribution comes directly from the LO signal in the mixer core due to load mismatch (ΔZ) together with LO balun imbalance (contained in A_Z). For a properly designed circuit this contribution to the DC offset should be of a little concern.

B) LO leakage

The LO leakage is found as the fundamental current running through the diodes to the IF port, corresponding to the first-order term of the Fourier series of $I_{o_{d_n}}$. The first-order Fourier

coefficients of I_{od_n} can be found as [18]

$$I_{od_1}^1 = I_s \left[\hat{I}_1 \left(\frac{V_{LO}(1 - (\Delta A/2))(1 - A_Z(1 + (\Delta Z/2)))}{\eta V_T} \right) \times \exp\left(-j\frac{\Delta\phi}{2}\right) - 1 \right], \tag{A.18a}$$

$$I_{od_2}^1 = I_s \left[\hat{I}_1 \left(\frac{V_{LO}(1 + (\Delta A/2))(1 + A_Z(1 + (\Delta Z/2)))}{\eta V_T} \right) \times \exp\left(j\frac{\Delta\phi}{2}\right) - 1 \right], \tag{A.18b}$$

$$I_{od_3}^1 = -I_s \left[\hat{I}_1 \left(\frac{V_{LO}(1 + (\Delta A/2))(1 + A_Z(1 - (\Delta Z/2)))}{\eta V_T} \right) \times \exp\left(j\frac{\Delta\phi}{2}\right) - 1 \right], \tag{A.18c}$$

$$I_{od_4}^1 = -I_s \left[\hat{I}_1 \left(\frac{V_{LO}(1 - (\Delta A/2))(1 - A_Z(1 - (\Delta Z/2)))}{\eta V_T} \right) \times \exp\left(-j\frac{\Delta\phi}{2}\right) - 1 \right]. \tag{A.18d}$$

The term $\exp(j(\Delta\phi/2))$ is due to the phase mismatch, because when calculating the n 'th Fourier coefficient this appears as the modified Bessel function times a factor $\exp(jn(\Delta\phi/2))$ [18]. Linearizing the modified Bessel function of first order around V_{LO} , that is for small deviations, using [9.6.28] in [19], gives

$$\hat{I}_1\left(\frac{V_{LO}(1+a)}{\eta V_T}\right) = \hat{I}_1\left(\frac{V_{LO}}{\eta V_T}\right) + \frac{1}{2} \frac{V_{LO}}{\eta V_T} \times \left(\hat{I}_0\left(\frac{V_{LO}}{\eta V_T}\right) + \hat{I}_2\left(\frac{V_{LO}}{\eta V_T}\right) \right) a. \tag{A.19}$$

Using this relation in (A.14a) through (A.14d), inserting them into (A.8) and (A.9), and then into (A.10) we get

$$I_{IF} = -2jI_s \frac{V_{LO}}{\eta V_T} \left(\hat{I}_0\left(\frac{V_{LO}}{\eta V_T}\right) + \hat{I}_2\left(\frac{V_{LO}}{\eta V_T}\right) \right) \times \left[\cos\left(\frac{\Delta\phi}{2}\right) \left(A_Z + \frac{\Delta A}{2} \right) + j \sin\left(\frac{\Delta\phi}{2}\right) \frac{\Delta A}{2} A_Z \right]. \tag{A.20}$$

From (A.20) it is seen that there is a strong connection between balun imbalances and the LO leakage, but no dependence on load mismatch.

C) RF leakage

The second term of (A.12) describes the linear behavior of the RF current. The RF leakage is found as the zeroth-order Fourier coefficient of $g_{1_{dn}}(t)$. This can be evaluated as [18]

$$G_{1_{d_1}}^0 = \frac{I_s}{\eta V_T} \hat{I}_0\left(\frac{V_{LO}(1 - (\Delta A/2))(1 - A_Z(1 + (\Delta Z/2)))}{\eta V_T}\right), \tag{A.21a}$$

$$G_{1_{d_2}}^0 = \frac{I_s}{\eta V_T} \hat{I}_0\left(\frac{V_{LO}(1 + (\Delta A/2))(1 + A_Z(1 + (\Delta Z/2)))}{\eta V_T}\right), \tag{A.21b}$$

$$G_{1_{d_3}}^0 = \frac{I_s}{\eta V_T} \hat{I}_0\left(\frac{V_{LO}(1 + (\Delta A/2))(1 + A_Z(1 - (\Delta Z/2)))}{\eta V_T}\right), \tag{A.21c}$$

$$G_{1_{d_4}}^0 = \frac{I_s}{\eta V_T} \hat{I}_0\left(\frac{V_{LO}(1 - (\Delta A/2))(1 - A_Z(1 - (\Delta Z/2)))}{\eta V_T}\right). \tag{A.21d}$$

Linearizing the Bessel function and using equations (A.13) through (A.14) we get

$$I_{IF} = (-G_{1_{d_1}}^0 - G_{1_{d_2}}^0 + G_{1_{d_3}}^0 + G_{1_{d_4}}^0) v_{RF} = -4v_{RF} \frac{I_s V_{LO}}{(\eta V_T)^2} \hat{I}_1\left(\frac{V_{LO}}{\eta V_T}\right) \frac{\Delta A}{2} A_Z \frac{\Delta Z}{2}. \tag{A.22}$$

As observed from (A.22), an imbalance in the LO balun will result in a RF leakage if there is also simultaneously a mismatch in the IF-load. This is not to say that this is the only way a RF-leak can occur, an imbalance in the RF-balun has a high impact on the RF-leakage, but this is outside the scope of this analysis.

D) Conversion loss

The desired mixing product at the IF frequency is found when the RF signal is multiplied with the fundamental tone of $g_{1_{dn}}(t)$. The contribution can be evaluated from the first-order Fourier coefficients as

$$G_{1_{d_1}}^1 = \frac{I_s}{\eta V_T} \hat{I}_1\left(\frac{V_{LO}(1 - (\Delta A/2))(1 - A_Z(1 + (\Delta Z/2)))}{\eta V_T}\right) \times \exp\left(-j\frac{\Delta\phi}{2}\right), \tag{A.23a}$$

$$G_{1d_2}^1 = \frac{I_s}{\eta V_T} \hat{I}_1 \left(\frac{V_{LO}(1 + (\Delta A/2))(1 + A_Z(1 + (\Delta Z/2)))}{\eta V_T} \right) \times \exp\left(j \frac{\Delta \phi}{2}\right), \tag{A.23b}$$

$$G_{1d_3}^1 = -\frac{I_s}{\eta V_T} \hat{I}_1 \left(\frac{V_{LO}(1 + (\Delta A/2))(1 + A_Z(1 - (\Delta Z/2)))}{\eta V_T} \right) \times \exp\left(j \frac{\Delta \phi}{2}\right), \tag{A.23c}$$

$$G_{1d_4}^1 = -\frac{I_s}{\eta V_T} \hat{I}_1 \left(\frac{V_{LO}(1 - (\Delta A/2))(1 - A_Z(1 - (\Delta Z/2)))}{\eta V_T} \right) \times \exp\left(-j \frac{\Delta \phi}{2}\right). \tag{A.23d}$$

Linearizing the Bessel function and using equations (A.13) through (A.14) we get

$$I_{IF} = (-G_{1d_1}^1 - G_{1d_2}^1 + G_{1d_3}^1 + G_{1d_4}^1) v_{RF} = -4v_{RF} \frac{I_s}{\eta V_T} \left[\hat{I}_1 \left(\frac{V_{LO}}{\eta V_T} \right) \cos\left(\frac{\Delta \phi}{2}\right) + \frac{1}{2} \frac{V_{LO}}{\eta V_T} \left(\hat{I}_2 \left(\frac{V_{LO}}{\eta V_T} \right) + \hat{I}_0 \left(\frac{V_{LO}}{\eta V_T} \right) \right) \times \left(A_Z \frac{\Delta A}{2} \cos\left(\frac{\Delta \phi}{2}\right) + j \left(A_Z + \frac{\Delta A}{2} \right) \sin\left(\frac{\Delta \phi}{2}\right) \right) \right]. \tag{A.24}$$

The conversion loss is inversely proportional to the IF current. Therefore, it is observed that the conversion loss is not affected much by the phase imbalance as $\cos(\Delta\phi/2) \approx 1$ and the second term is negligible under the assumption of small deviations.

E) Second-order intermodulation

The third term of (A.12) describes the second-order behavior of the RF current. The zeroth-order Fourier coefficient of $g_{2d_n}(t)$, gives rise to the second-order intermodulation and DC-contribution from the RF signal. The Fourier coefficient can be found as [18]

$$G_{2d_1}^o = \frac{I_s}{2(\eta V_T)^2} \times \hat{I}_0 \left(\frac{V_{LO}(1 - (\Delta A/2))(1 - A_Z(1 + (\Delta Z/2)))}{\eta V_T} \right), \tag{A.25a}$$

$$G_{2d_2}^o = \frac{I_s}{2(\eta V_T)^2} \times \hat{I}_0 \left(\frac{V_{LO}(1 + (\Delta A/2))(1 + A_Z(1 + (\Delta Z/2)))}{\eta V_T} \right), \tag{A.25b}$$

$$G_{2d_3}^o = \frac{I_s}{2(\eta V_T)^2} \times \hat{I}_0 \left(\frac{V_{LO}(1 + (\Delta A/2))(1 + A_Z(1 - (\Delta Z/2)))}{\eta V_T} \right), \tag{A.25c}$$

$$G_{2d_4}^o = \frac{I_s}{2(\eta V_T)^2} \times \hat{I}_0 \left(\frac{V_{LO}(1 - (\Delta A/2))(1 - A_Z(1 - (\Delta Z/2)))}{\eta V_T} \right). \tag{A.25d}$$

Again by linearizing the Bessel function and using equations (A.13) through (A.14) we get

$$I_{IF} = \left(G_{2d_1}^o - G_{2d_2}^o + G_{2d_3}^o - G_{2d_4}^o \right) v_{RF}^2 = -2 \frac{V_{LO} I_s}{(\eta V_T)^3} \hat{I}_1 \left(\frac{V_{LO}}{\eta V_T} \right) A_Z \frac{\Delta Z}{2} v_{RF}^2. \tag{A.26}$$

From (A.26) we see that second-order intermodulation products will arise if there is a load mismatch together with a LO-balun imbalance.

F) Third-order intermodulation

The fourth term of (A.12) describes the third-order behavior of the RF current. To mix the frequencies to be near the IF frequency, it is necessary for the third-order RF to mix with the LO, i.e. it is the first-order Fourier coefficient of $g_{3d_n}(t)$, which give rise to the third-order intermodulation from the RF signal. The Fourier coefficient can be found as [18]

$$G_{3d_1}^1 = \frac{I_s}{6(\eta V_T)^3} \hat{I}_1 \left(\frac{V_{LO}(1 - (\Delta A/2))(1 - A_Z(1 + (\Delta Z/2)))}{\eta V_T} \right) \times \exp\left(-j \frac{\Delta \phi}{2}\right), \tag{A.27a}$$

$$G_{3d_2}^1 = \frac{I_s}{6(\eta V_T)^3} \hat{I}_1 \left(\frac{V_{LO}(1 + (\Delta A/2))(1 + A_Z(1 + (\Delta Z/2)))}{\eta V_T} \right) \times \exp\left(j \frac{\Delta \phi}{2}\right), \tag{A.27b}$$

$$G_{3d_3}^1 = -\frac{I_s}{6(\eta V_T)^3} \hat{I}_1 \left(\frac{V_{LO}(1 + (\Delta A/2))(1 + A_Z(1 - (\Delta Z/2)))}{\eta V_T} \right) \times \exp\left(j \frac{\Delta \phi}{2}\right), \tag{A.27c}$$

$$G_{3d_4}^1 = -\frac{I_s}{6(\eta V_T)^3} \hat{I}_1 \left(\frac{V_{LO}(1 - (\Delta A/2))(1 - A_Z(1 - (\Delta Z/2)))}{\eta V_T} \right) \times \exp\left(-j \frac{\Delta \phi}{2}\right). \tag{A.27d}$$

Linearizing the Bessel function and using equations (A.13) through (A.14) we get

$$\begin{aligned}
 I_{IF} &= \left(-G_{3d_1}^1 - G_{3d_2}^1 + G_{3d_3}^1 + G_{3d_4}^1 \right) v_{RF}^3 \\
 &= -\frac{2}{3} v_{RF} \frac{I_s}{(\eta V_T)^3} \left[\hat{I}_1 \left(\frac{V_{LO}}{\eta V_T} \right) \cos \left(\frac{\Delta\phi}{2} \right) + \frac{1}{2} \frac{V_{LO}}{\eta V_T} \right. \\
 &\quad \left. \left(\hat{I}_2 \left(\frac{V_{LO}}{\eta V_T} \right) + \hat{I}_0 \left(\frac{V_{LO}}{\eta V_T} \right) \right) \right. \\
 &\quad \left. \times \left(A_Z \frac{\Delta A}{2} \cos \left(\frac{\Delta\phi}{2} \right) + j \left(A_Z + \frac{\Delta A}{2} \right) \sin \left(\frac{\Delta\phi}{2} \right) \right) \right].
 \end{aligned}
 \tag{A.28}$$

It is observed that the third-order intermodulation is not affected much by the phase imbalance as $\cos(\Delta\phi/2) \approx 1$ and the second term is negligible under the assumption of small deviations, just like the conversion loss.