

MRS Elects New Officers, Councillors for 1995

Ballot results are final for the MRS yearly election that just ended October 14, 1994: MRS members elected three officers and six councillors to join 1995 MRS President Julia M. Phillips of AT&T Bell Laboratories.

1995 MRS Officers

President

Julia M. Phillips (1995)
AT&T Bell Laboratories

Immediate Past President

John C. Bravman (1995)
Stanford University

First Vice President (President Elect)

*Carl V. Thompson (1995)
Massachusetts Institute of Technology

Second Vice President

*Robert Hull (1995)
University of Virginia

Secretary

Carl C. Koch (1995)
North Carolina State University

Treasurer

*A. Kay Hays (1996)
Sandia National Laboratories

1995 MRS Councillors

Bill R. Appleton (1995)
Oak Ridge National Laboratory

Howard K. Birnbaum (1996)
University of Illinois-Urbana

Clifton W. Draper (1995)
AT&T Bell Laboratories

*Charles B. Duke (1997)
Xerox Webster Research Center

Merton C. Flemings (1995)
Massachusetts Institute of Technology

*Ron Gibala (1997)
University of Michigan

J. Murray Gibson (1995)
University of Illinois-Urbana

*James M.E. Harper (1997)
IBM T.J. Watson Research Center

Kevin S. Jones (1996)
University of Florida

*Gabrielle G. Long (1997)
National Institute of Standards
and Technology

Merrilea J. Mayo (1996)
Pennsylvania State University

June D. Passaretti (1995)
Minerals Technologies

*Manfred Rühle (1997)
Max-Planck-Institut für Metallforschung

Richard W. Siegel (1995)
Argonne National Laboratory

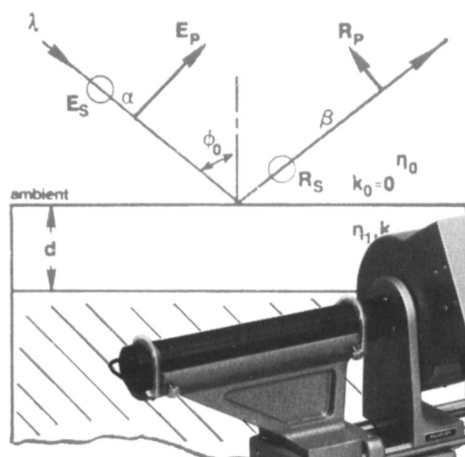
*Alan I. Taub (1997)
Ford Research Laboratory

(Terms of office expire at the end of the years indicated in parentheses.)

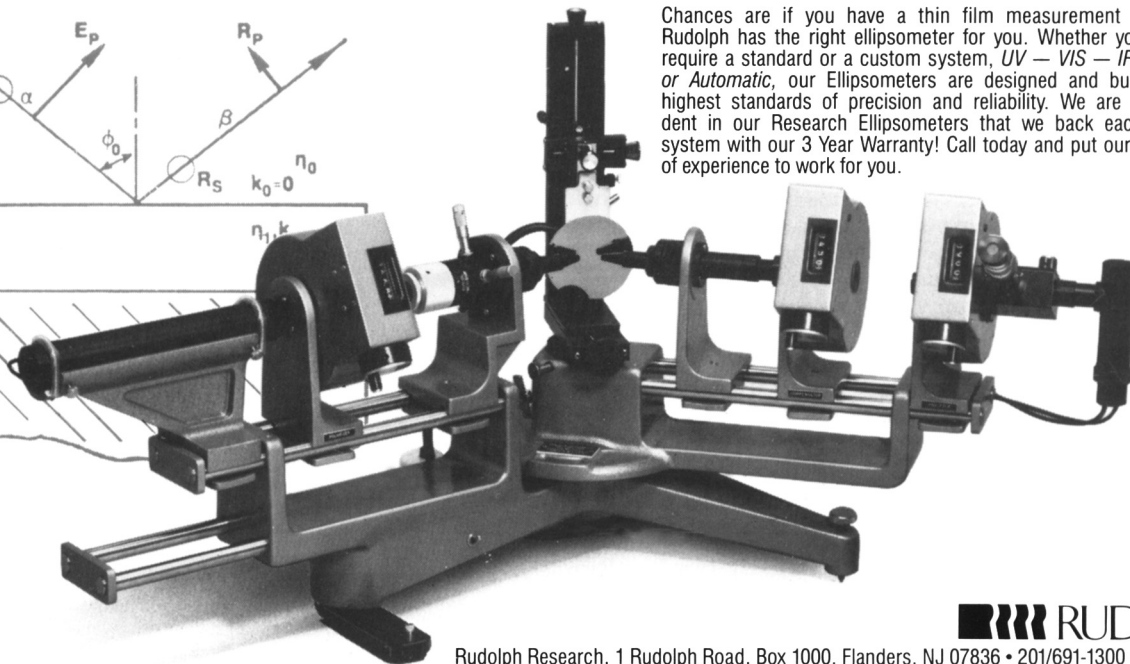
*Newly Elected

MRS

FROM 1Å TO 60,000Å FILM MEASUREMENT SOLUTIONS BEGIN WITH RUDOLPH



Chances are if you have a thin film measurement problem, Rudolph has the right ellipsometer for you. Whether your needs require a standard or a custom system, UV - VIS - IR, Manual or Automatic, our Ellipsometers are designed and built to the highest standards of precision and reliability. We are so confident in our Research Ellipsometers that we back each optical system with our 3 Year Warranty! Call today and put our 30 years of experience to work for you.



RUDOLPH

Rudolph Research, 1 Rudolph Road, Box 1000, Flanders, NJ 07836 • 201/691-1300 • FAX 691-5480

Circle No. 46 on Reader Service Card.